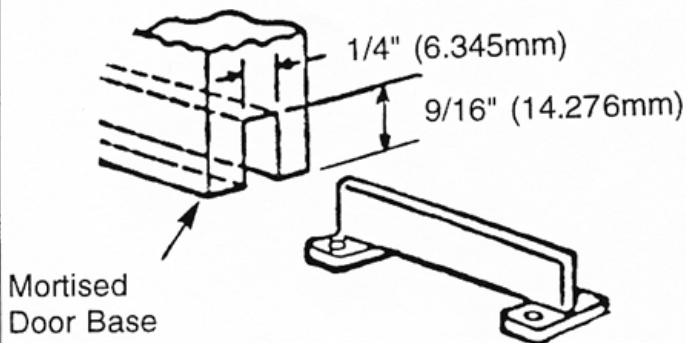


# SLIDING DOOR HARDWARE INSTALLATION INSTRUCTIONS

## 1. PREPARE DOOR

a.) Drill two holes 1/2" (12.69mm) dia., 3/4" (19.03mm) deep on center line of door top, 5" (126.90mm) from each door edge.

b.) Cut a continuous 1/4" (6.34mm) wide by 9/16" (14.27mm) deep slot at the bottom along center line of door thickness for floor guide



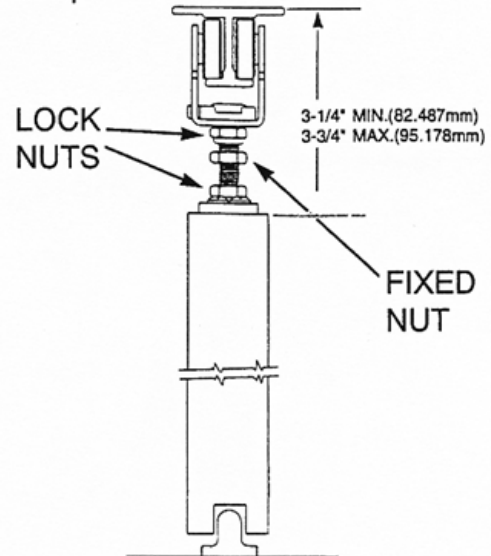
## 2. MOUNT TRACK

Note: Carriers should be on the track before mounting. Opening in the carriers should face out.

## 3. SCREW MOUNTING bolts

into top plates and fasten plates to top of the door.

Place wrench on fixed nut to turn bolt to adjust door clearance. Hold fixed nut, then tighten lock nuts against the hanger and floor plates.



## 4. MOUNT DOOR

### POCKET DOORS

- Mount floor guide first directly under track and as far into the pocket as practical.
- Place slot in door over door guide and hang mounting bolts into carriers.
- Adjust for proper clearance over guide and for proper alignment. Tighten lock-nuts against both carriers and top plates.

### BY-PASS DOORS

- Hang door(s) by inserting mounting bolts into carriers. Adjust so there is at least 3/16" (4.7mm) clearance at the bottom. Make other alignments as required and tighten lock-nuts against both the carriers and the top plates.
- Slide door(s) all the way toward one jamb.
- Insert door guide half-way under door(s) (in slot). Fasten.
- Slide door(s) to other jamb and fasten other end of guide.