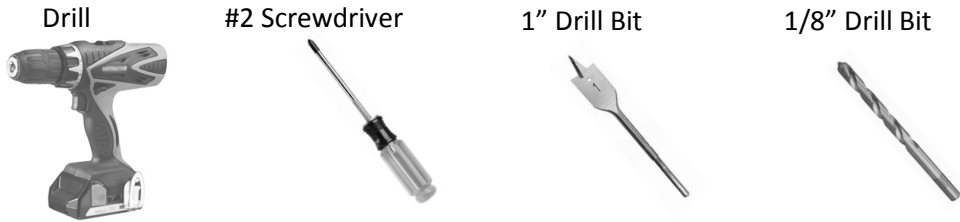
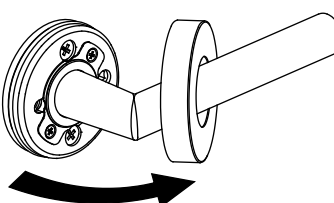
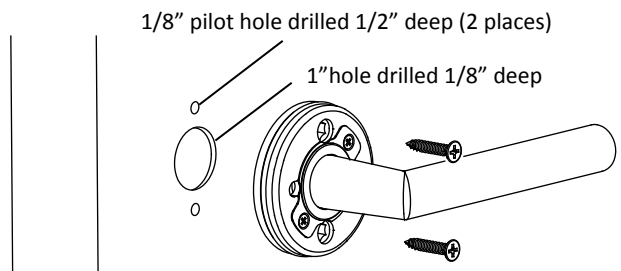
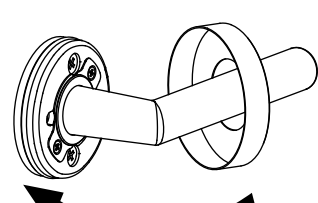


Recommended for use on doors 1-3/8" - 1-3/4" (35mm-45mm) thick

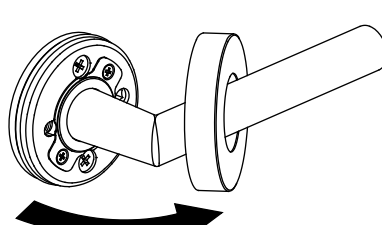
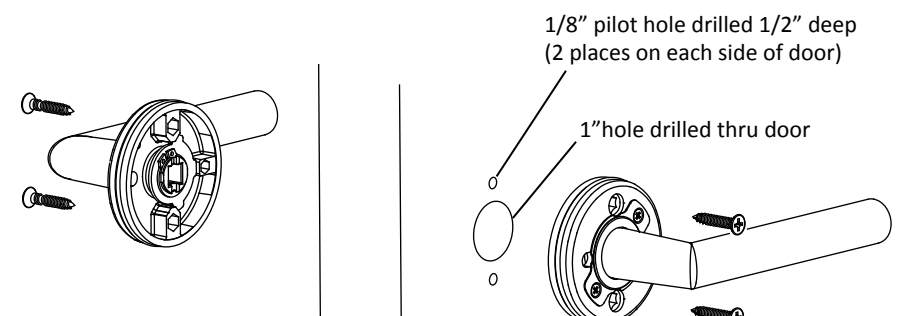
Tools required for installation:



2317 SINGLE DUMMY INSTALLATION INSTRUCTIONS

1. REMOVE ROSE	2. PREP DOOR & INSTALL LEVERSET	3. INSTALL ROSE
	 <p>1/8" pilot hole drilled 1/2" deep (2 places) 1" hole drilled 1/8" deep</p> <ol style="list-style-type: none"> 1. Drill 1" dia. hole at desired height. 2. Using leverset as a guide, mark and drill pilot holes. 3. Tighten leverset to the door face using screws provided. 	

2327 DOUBLE DUMMY INSTALLATION INSTRUCTIONS

1. REMOVE ROSES	2. PREP DOOR & INSTALL LEVERSETS	
	 <p>1/8" pilot hole drilled 1/2" deep (2 places on each side of door) 1" hole drilled thru door</p> <ol style="list-style-type: none"> 1. Drill 1" dia. hole completely thru the door at desired height. 2. Using inside leverset as a guide, mark and drill pilot holes on inside door face. 3. Repeat step 2 for outside leverset. 3. Tighten both leverset to the door face using screws provided. 	
<h3>3. INSTALL ROSES</h3> 