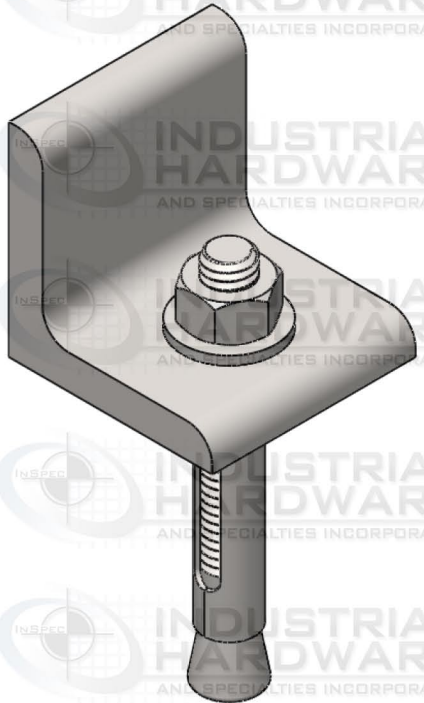
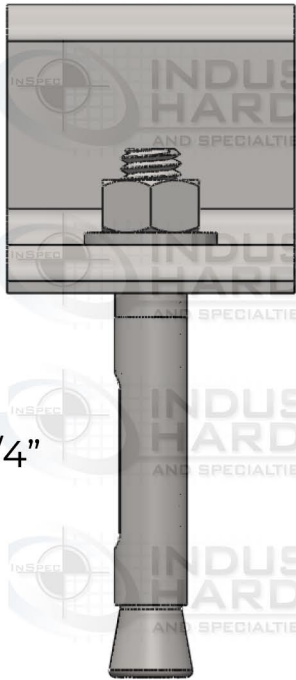
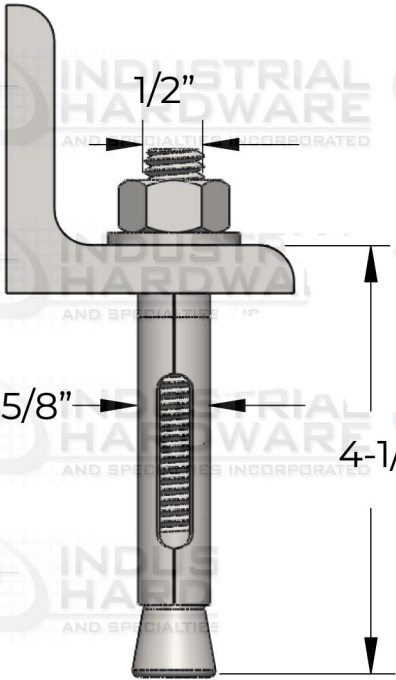
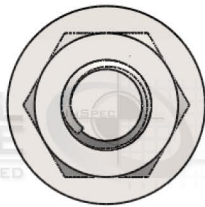
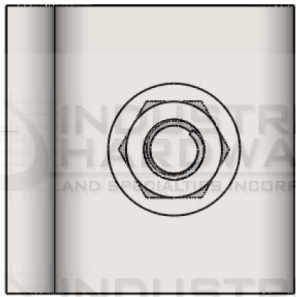



| ZONE |  | REV. | REVISIONS   | DATE | APPROVED |
|------|--|------|-------------|------|----------|
|      |  |      | DESCRIPTION |      |          |
|      |  |      |             |      |          |
|      |  |      |             |      |          |



**PROPRIETARY AND CONFIDENTIAL**

THIS DRAWING AND ITS CONTENT IS THE SOLE PROPERTY OF INDUSTRIAL HARDWARE & SPECIALTIES, INCORPORATED.

ANY REPRODUCTION IN PART OR AS A WHOLE WITHOUT THE WRITTEN PERMISSION OF INDUSTRIAL HARDWARE & SPECIALTIES, INC. IS STRICTLY PROHIBITED. INSPEC AND TOSPEC INDICIA ARE REGISTERED AND PROTECTED TRADEMARKS WITH THE UNITED STATES PATENT & TRADEMARK OFFICE. MODIFICATION, USE OR REMOVAL WITHOUT WRITTEN AUTHORIZATION WILL BE DEEMED AN INTENTIONAL VIOLATION OF COPYRIGHT PROTECTIONS.

|           |         |  |  |           |      |   |
|-----------|---------|--|--|-----------|------|---|
|           |         | DIMENSIONS ARE IN INCHES<br>TOLERANCES:<br>FRACTIONAL $\pm 1/64"$<br>ANGULAR: MACH $\pm 1^\circ$ BEND $\pm 1^\circ$<br>TWO PLACE DECIMAL $\pm .01"$<br>THREE PLACE DECIMAL $\pm .005"$<br>CONCENTRICITY T.I.R. = $.005"$ |  | NAME      | DATE |  <b>INDUSTRIAL HARDWARE</b><br>AND SPECIALTIES INCORPORATED<br>17-B Kentucky Avenue<br>Paterson, New Jersey 07503<br>T: 973-684-4010 F: 973-684-3095<br>e-mail: sales@industrialhardware.com<br>www.industrialhardware.com<br>SIZE DWG. NO. <b>A</b> 20A-1G17<br>SCALE: 1:2 WEIGHT: SHEET 1 OF 1 |
|           |         | MATERIAL<br><b>Stainless Steel</b>   |  | DRAWN     |      |   |
|           |         | FINISH<br><b>Type 304</b>  |  | CHECKED   |      |   |
|           |         | APPLICATION<br>DO NOT SCALE DRAWING  |  | ENG APPR. |      |   |
| NEXT ASSY | USED ON |  |  | MFG APPR. |      |   |
|           |         |  |  | Q.A.      |      |   |
|           |         |  |  | COMMENTS: |      |   |