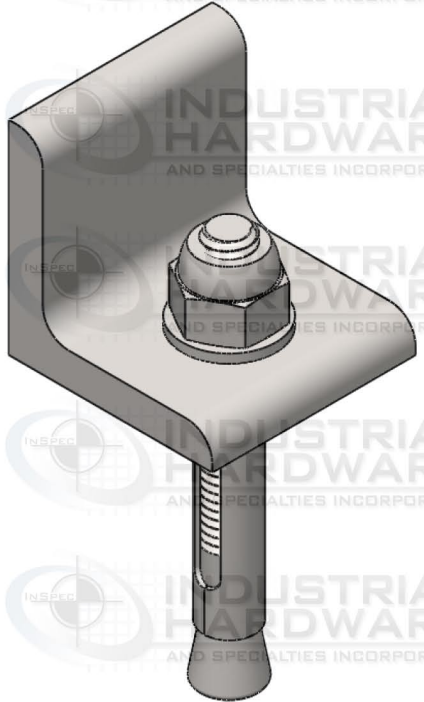
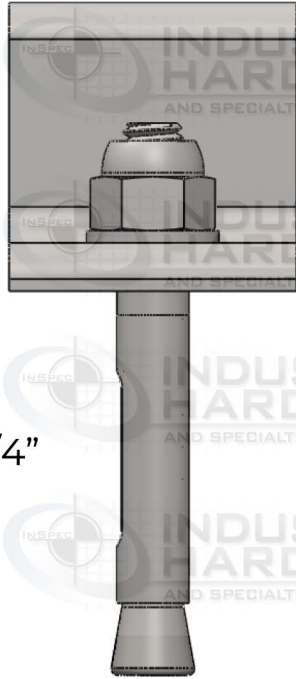
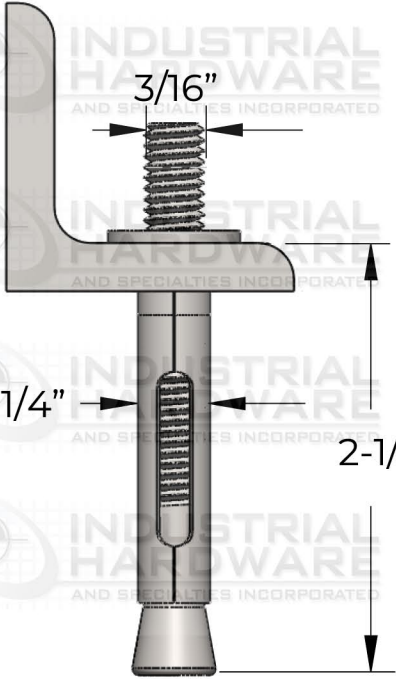
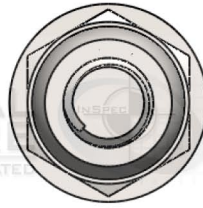
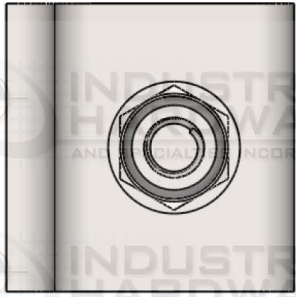



ZONE		REV.	REVISIONS	DATE	APPROVED
			DESCRIPTION		



PROPRIETARY AND CONFIDENTIAL

THIS DRAWING AND IT'S CONTENT IS THE SOLE PROPERTY OF INDUSTRIAL HARDWARE & SPECIALTIES,INCORPORATED.

ANY REPRODUCTION IN PART OR AS A WHOLE WITHOUT THE WRITTEN PERMISSION OF INDUSTRIAL HARDWARE & SPECIALTIES,INC. IS STRICTLY PROHIBITED. INSPEC AND TOSPEC INDICIA ARE REGISTERED AND PROTECTED TRADEMARKS WITH THE UNITED STATES PATENT & TRADEMARK OFFICE. MODIFICATION, USE OR REMOVAL WITHOUT WRITTEN AUTHORIZATION WILL BE DEEMED A INTENTIONAL VIOLATION OF COPYRIGHT PROTECTIONS.

		DIMENSIONS ARE IN INCHES TOLERANCES: FRACTIONAL $\pm 1/64"$ ANGULAR: MACH $\pm 1^\circ$ BEND $\pm 1^\circ$ TWO PLACE DECIMAL $\pm .01"$ THREE PLACE DECIMAL $\pm .005"$ CONCENTRICITY T.I.R. = $.005"$		NAME	DATE	 INDUSTRIAL HARDWARE AND SPECIALTIES INCORPORATED 17-B Kentucky Avenue Paterson, New Jersey 07503 T: 973-684-4010 F: 973-684-3095 e-mail: sales@industrialhardware.com www.industrialhardware.com SIZE DWG. NO. A 20A-1D06 SCALE:1:2 WEIGHT: SHEET 1 OF 1
DRAWN		MATERIAL				
CHECKED		Steel				
ENG APPR.		FINISH				
MFG APPR.		Zinc CR+3 (RoHS)				
Q.A.						
COMMENTS:						
NEXT ASSY	USED ON	APPLICATION	DO NOT SCALE DRAWING			