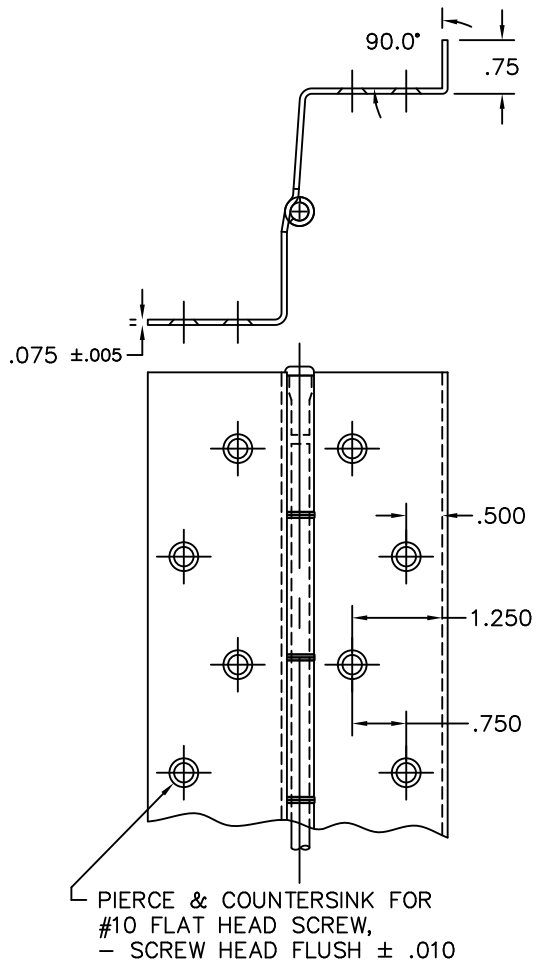


**APPLICATION**

SCALE: 3/4



**HOLE PATTERN DETAIL**

SCALE: 3/8

**NOTES:**

- MATERIAL: .075 STAINLESS STEEL #304-2B FINISH
- ALL DIMENSIONS ARE IN INCHES
- DRAWINGS ARE NOT TO SCALE
- KNUCKLE PATTERN MAY VARY

TOLERANCE	DET	QTY	SH	STOCK SIZE	MAT'L	REMARKS
± .000						
± .030						
± .015						
± .005						
± 1/32						
REMOVE ALL BURRS BREAK SHARP EDGES .010 MAX						
Bill of Material						
REVISIONS						
DRAWING NO. 790-911 - 95*						
HANGER - MODEL 790-911 - 95*						
CONTINUOUS STAINLESS STEEL HINGE						
DATE: 04.14.14						
DRAWING NO. 790-911 - 95*						