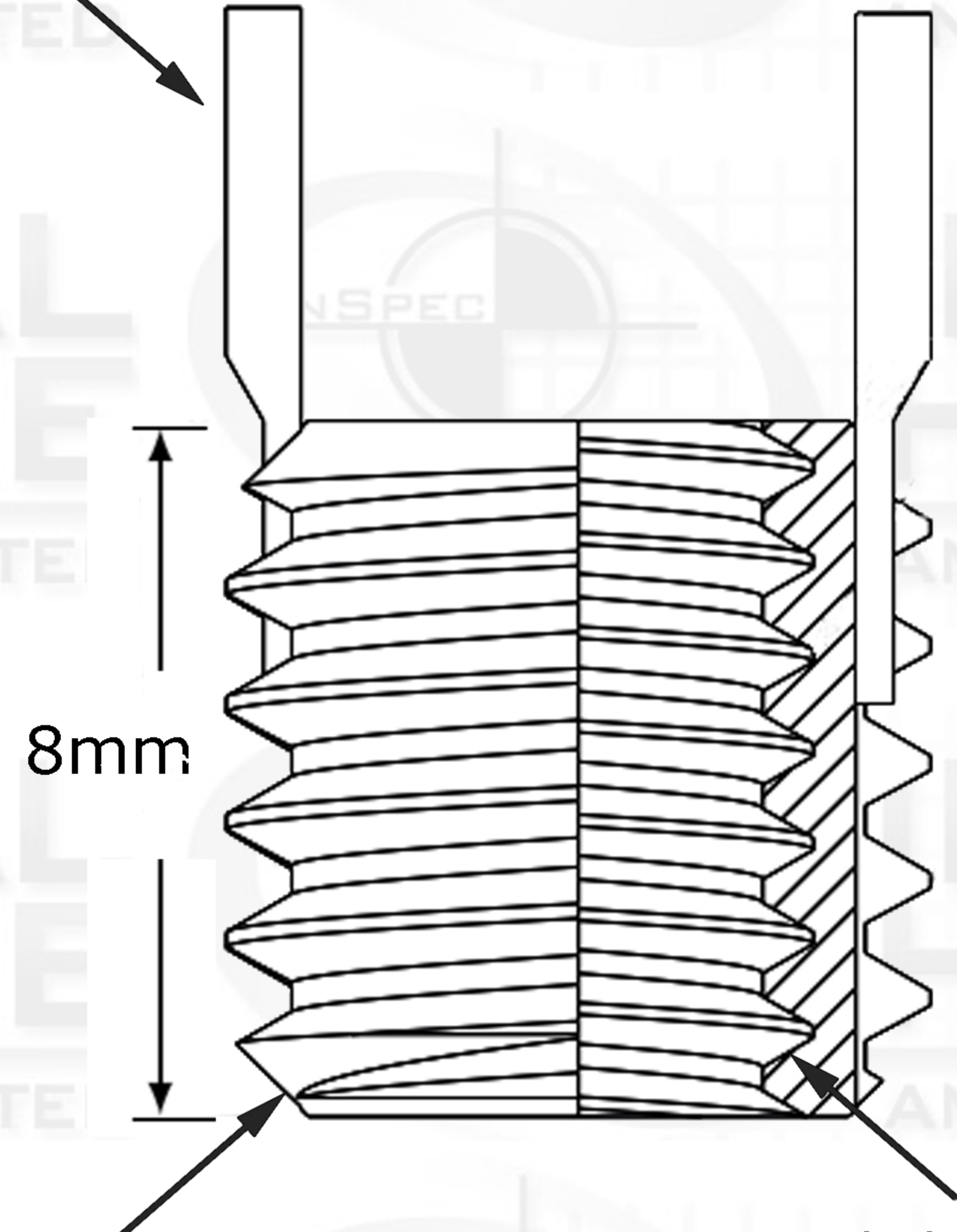


# Key-Locking Non-Locking

| ZONE |  | REV. | REVISIONS   | DATE | APPROVED |
|------|--|------|-------------|------|----------|
|      |  |      | DESCRIPTION |      |          |
|      |  |      |             |      |          |



Key



8mm

External Thread Pitch  
M8 x 1.25

Internal Thread Pitch  
M4 x 0.7

Suggested Drill Bit Size



0.2720 (Letter I)

## PROPRIETARY AND CONFIDENTIAL

THIS DRAWING AND IT'S CONTENT IS THE SOLE PROPERTY OF INDUSTRIAL HARDWARE & SPECIALTIES,INC.. ANY REPRODUCTION IN PART OR AS A WHOLE WITHOUT THE WRITTEN PERMISSION OF INDUSTRIAL HARDWARE & SPECIALTIES,INC. IS STRICTLY PROHIBITED.

|             |         |                          |  |           |      |
|-------------|---------|--------------------------|--|-----------|------|
|             |         | <b>Internal</b>          |  | NAME      | DATE |
|             |         | TH. STANDARD: ISO Metric |  | DRAWN     |      |
|             |         | ACRONYM: ISO             |  | CHECKED   |      |
|             |         | ROTATION: Right-Hand     |  | ENG APPR. |      |
|             |         | <b>External</b>          |  | MFG APPR. |      |
|             |         | TH. STANDARD: ISO Metric |  | Q.A.      |      |
|             |         | ACRONYM: ISO             |  |           |      |
|             |         | ROTATION: Right-Hand     |  |           |      |
|             |         | MATERIAL FINISH          |  |           |      |
|             |         | Carbon Steel C1215       |  |           |      |
| NEXT ASSY   | USED ON | PART NUMBER              |  | COMMENTS: |      |
|             |         | 35L8C-4QDC-B40C-0A       |  |           |      |
| APPLICATION |         | DO NOT SCALE DRAWING     |  |           |      |



**17-B KENTUCKY AVENUE**  
**PATERSON, NEW JERSEY 07503**  
**TEL: 973-684-4010 FAX: 973-684-3095**  
**email: TechSupport@industrialhardware.com**  
**www.industrialhardware.com**

|           |          |              |
|-----------|----------|--------------|
| SIZE      | DWG. NO. | REV.         |
| <b>A</b>  |          |              |
| SCALE:1:8 | WEIGHT:  | SHEET 1 OF 1 |