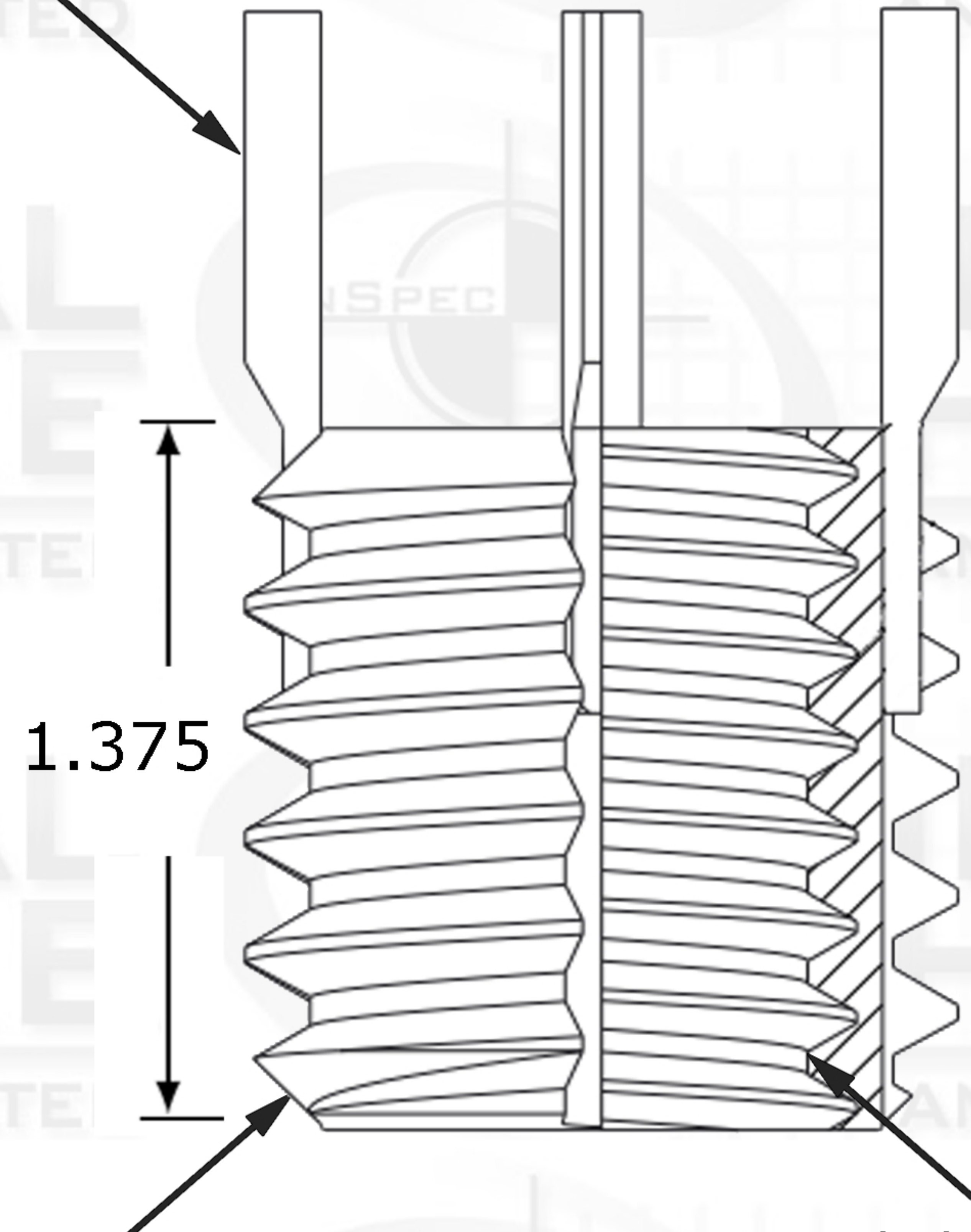


# Key-Locking Non-Locking

REVISIONS		DATE	APPROVED
ZONE	REV.	DESCRIPTION	



Key



1.375

External Thread Pitch  
1-3/8-12

Internal Thread Pitch  
1-14

Suggested Drill Bit Size



1.3125 (1-5/16)

## PROPRIETARY AND CONFIDENTIAL

THIS DRAWING AND IT'S CONTENT IS THE SOLE PROPERTY OF INDUSTRIAL HARDWARE & SPECIALTIES,INC.. ANY REPRODUCTION IN PART OR AS A WHOLE WITHOUT THE WRITTEN PERMISSION OF INDUSTRIAL HARDWARE & SPECIALTIES,INC. IS STRICTLY PROHIBITED.

		<b>Internal</b>	NAME	DATE
		TH. STANDARD: ANSI/ASME	DRAWN	
		ACRONYM: UNS	CHECKED	
		ROTATION: Right-Hand	ENG APPR.	
		<b>External</b>	MFG APPR.	
		TH. STANDARD: ANSI/ASME	Q.A.	
		ACRONYM: UNF		
		ROTATION: Right-Hand		
		MATERIAL FINISH	COMMENTS:	
		Carbon Steel C1215		
NEXT ASSY	USED ON	PART NUMBER		
		35L8C-4QD2-100		
APPLICATION		DO NOT SCALE DRAWING		



**INDUSTRIAL HARDWARE**  
AND SPECIALTIES INCORPORATED  
17-B KENTUCKY AVENUE  
PATERSON, NEW JERSEY 07503  
TEL: 973-684-4010 FAX: 973-684-3095  
email: TechSupport@industrialhardware.com  
www.industrialhardware.com

SIZE	DWG. NO.	REV.
<b>A</b>		
SCALE:1:8	WEIGHT:	SHEET 1 OF 1