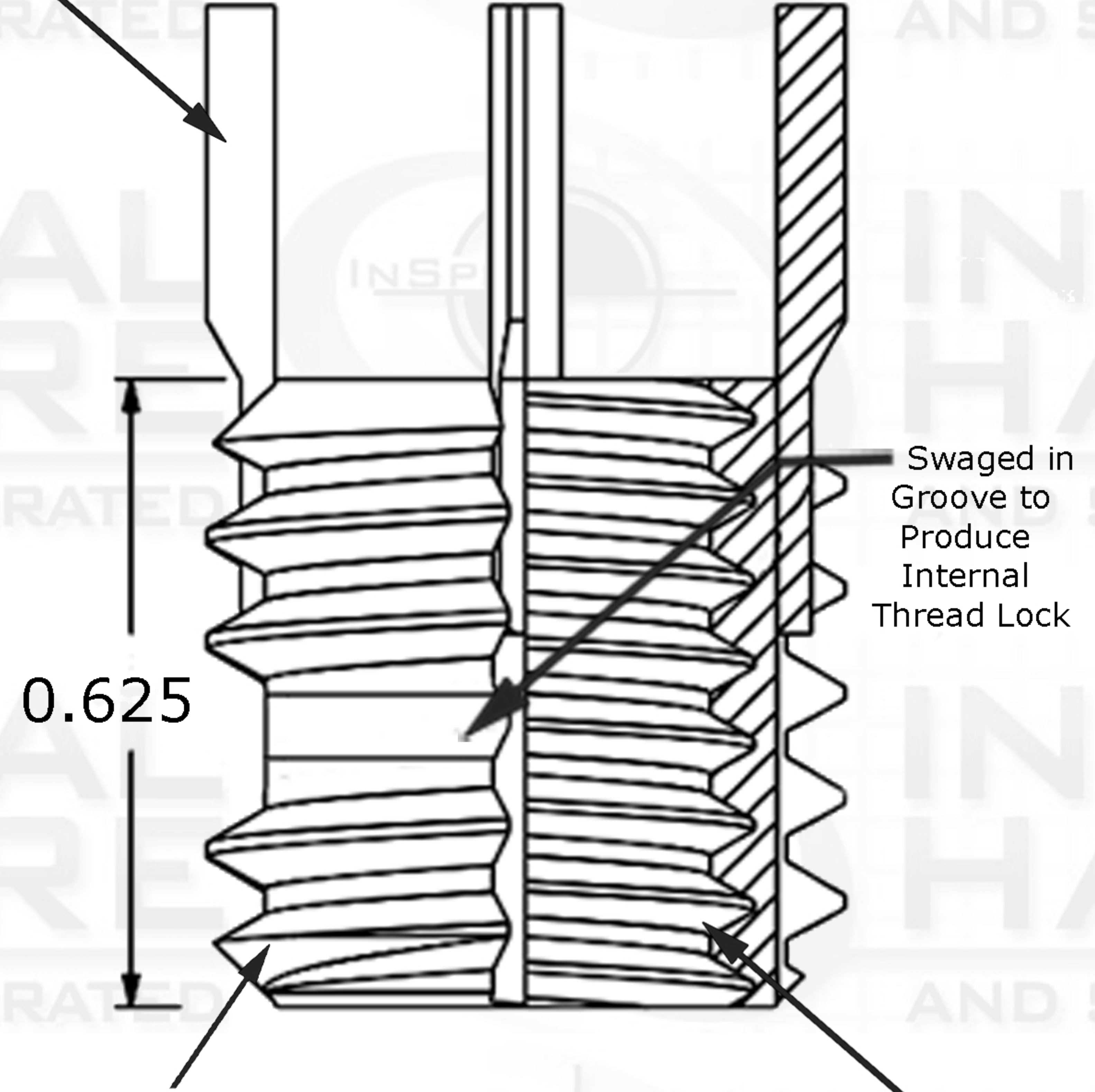


Key-Locking Internal Locking

REVISIONS		DATE	APPROVED
ZONE	REV.	DESCRIPTION	



Key



Suggested Drill Bit Size



0.6407 (41/64)

External Thread Pitch

11/16-11

Internal Thread Pitch

7/16-20

PROPRIETARY AND CONFIDENTIAL

THIS DRAWING AND IT'S CONTENT IS THE SOLE PROPERTY OF INDUSTRIAL HARDWARE & SPECIALTIES,INC.. ANY REPRODUCTION IN PART OR AS A WHOLE WITHOUT THE WRITTEN PERMISSION OF INDUSTRIAL HARDWARE & SPECIALTIES,INC. IS STRICTLY PROHIBITED.

		Internal		NAME	DATE
		TH. STANDARD : ANSI/ASME		DRAWN	
		ACRONYM: UNF		CHECKED	
		ROTATION: Right-Hand		ENG APPR.	
		External		MFG APPR.	
		TH. STANDARD : ANSI/ASME		Q.A.	
		ACRONYM: 11NS			
		ROTATION: Right-Hand			
		MATERIAL FINISH			
		Alloy Steel Type 4140		COMMENTS:	
NEXT ASSY	USED ON	PART NUMBER			
		35L8C-380Y-43-05			
APPLICATION		DO NOT SCALE DRAWING			



17-B KENTUCKY AVENUE
 PATERSON, NEW JERSEY 07503
 TEL: 973-684-4010 FAX: 973-684-3095
 email: TechSupport@industrialhardware.com
 www.industrialhardware.com

SIZE	DWG. NO.	REV.
A		
SCALE:1:8	WEIGHT:	SHEET 1 OF 1