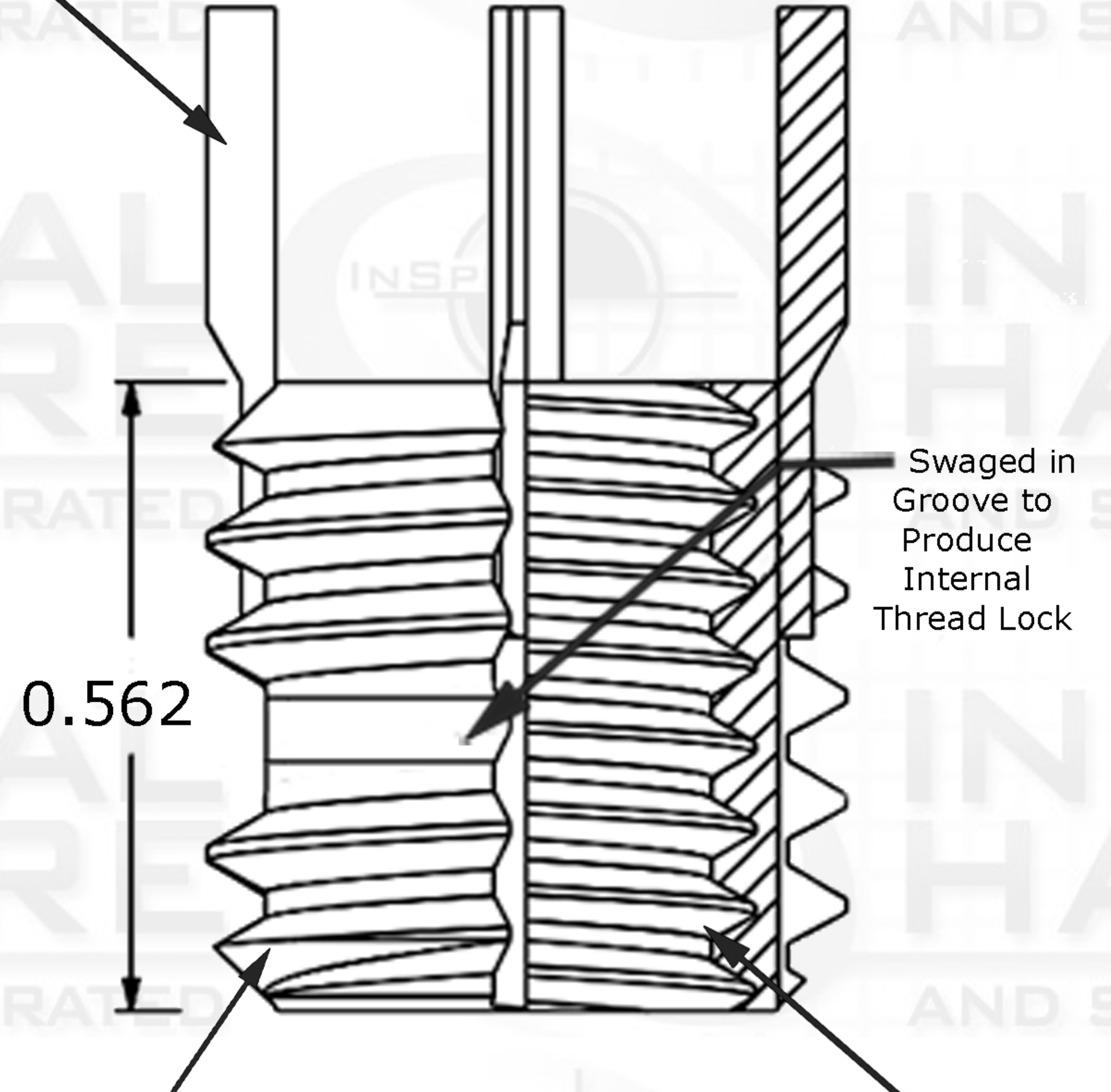


# Key-Locking Internal Locking

| REVISIONS |      | DATE        | APPROVED |
|-----------|------|-------------|----------|
| ZONE      | REV. | DESCRIPTION |          |
|           |      |             |          |
|           |      |             |          |



Key



0.562

External Thread Pitch  
9/16-12

Internal Thread Pitch  
7/16-14

Suggested Drill Bit Size



0.5157 (33/64)

## PROPRIETARY AND CONFIDENTIAL

THIS DRAWING AND IT'S CONTENT IS THE SOLE PROPERTY OF INDUSTRIAL HARDWARE & SPECIALTIES,INC.. ANY REPRODUCTION IN PART OR AS A WHOLE WITHOUT THE WRITTEN PERMISSION OF INDUSTRIAL HARDWARE & SPECIALTIES,INC. IS STRICTLY PROHIBITED.

|           |         |   |           |      |      |
|-----------|---------|---|-----------|------|------|
|           |         | <b>Internal</b><br>TH. STANDARD : ANSI/ASME<br>ACRONYM: UNC<br>ROTATION: Right-Hand | DRAWN     | NAME | DATE |
|           |         | <b>External</b><br>TH. STANDARD : ANSI/ASME<br>ACRONYM: UNC<br>ROTATION: Right-Hand | CHECKED   |      |      |
|           |         | MATERIAL FINISH<br>Alloy Steel Type 4140  | ENG APPR. |      |      |
|           |         | PART NUMBER<br>35L8C-352G-43-05   | MFG APPR. |      |      |
| NEXT ASSY | USED ON |   | Q.A.      |      |      |
|           |         | APPLICATION   | COMMENTS: |      |      |
|           |         | DO NOT SCALE DRAWING  |           |      |      |



**17-B KENTUCKY AVENUE  
PATERSON, NEW JERSEY 07503  
TEL: 973-684-4010 FAX: 973-684-3095  
email: TechSupport@industrialhardware.com  
www.industrialhardware.com**

|                  |          |              |
|------------------|----------|--------------|
| SIZE<br><b>A</b> | DWG. NO. | REV.         |
| SCALE:1:8        | WEIGHT:  | SHEET 1 OF 1 |