

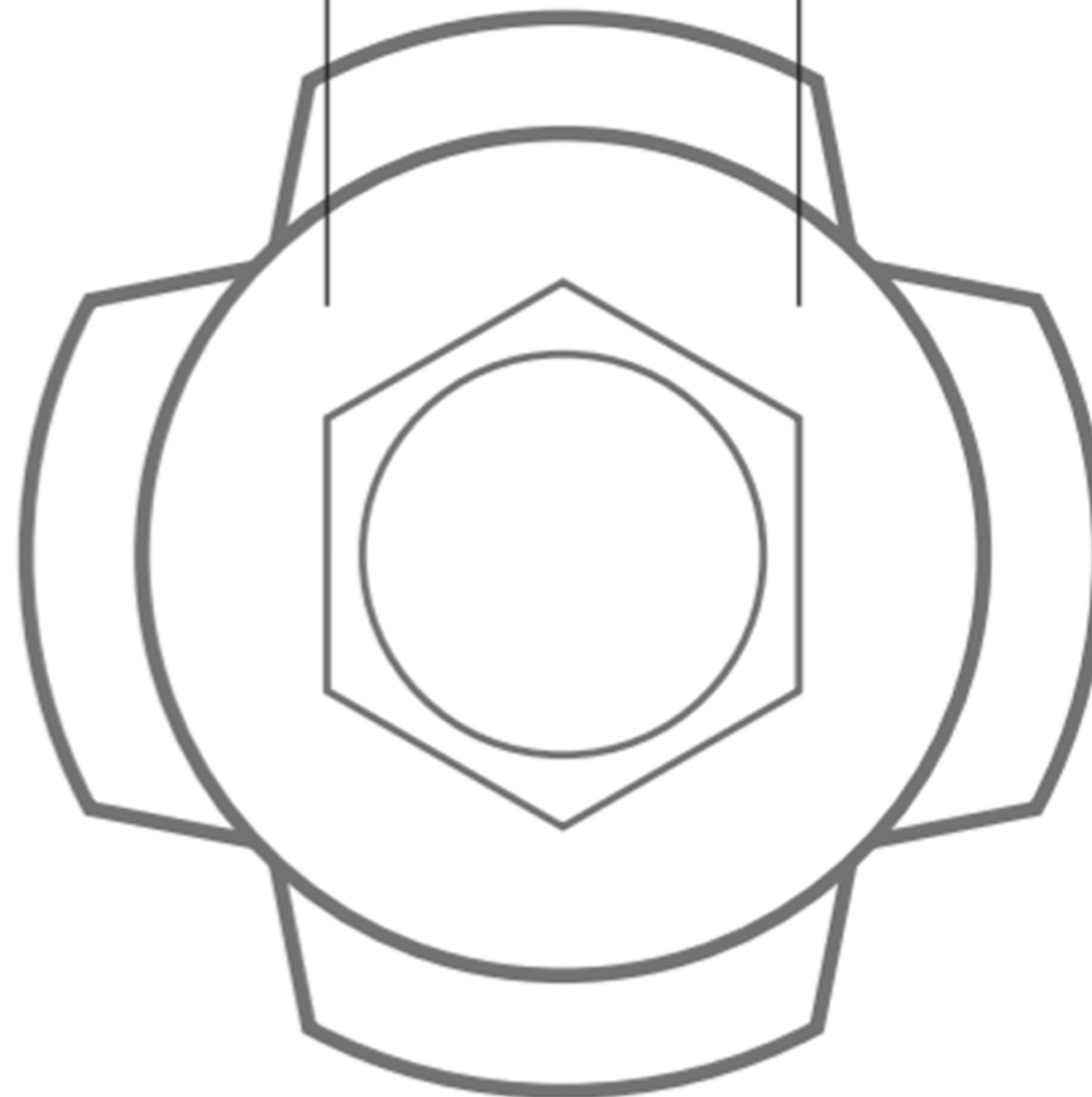
BoardSert Flush Hex

Diameter Thread Pitch

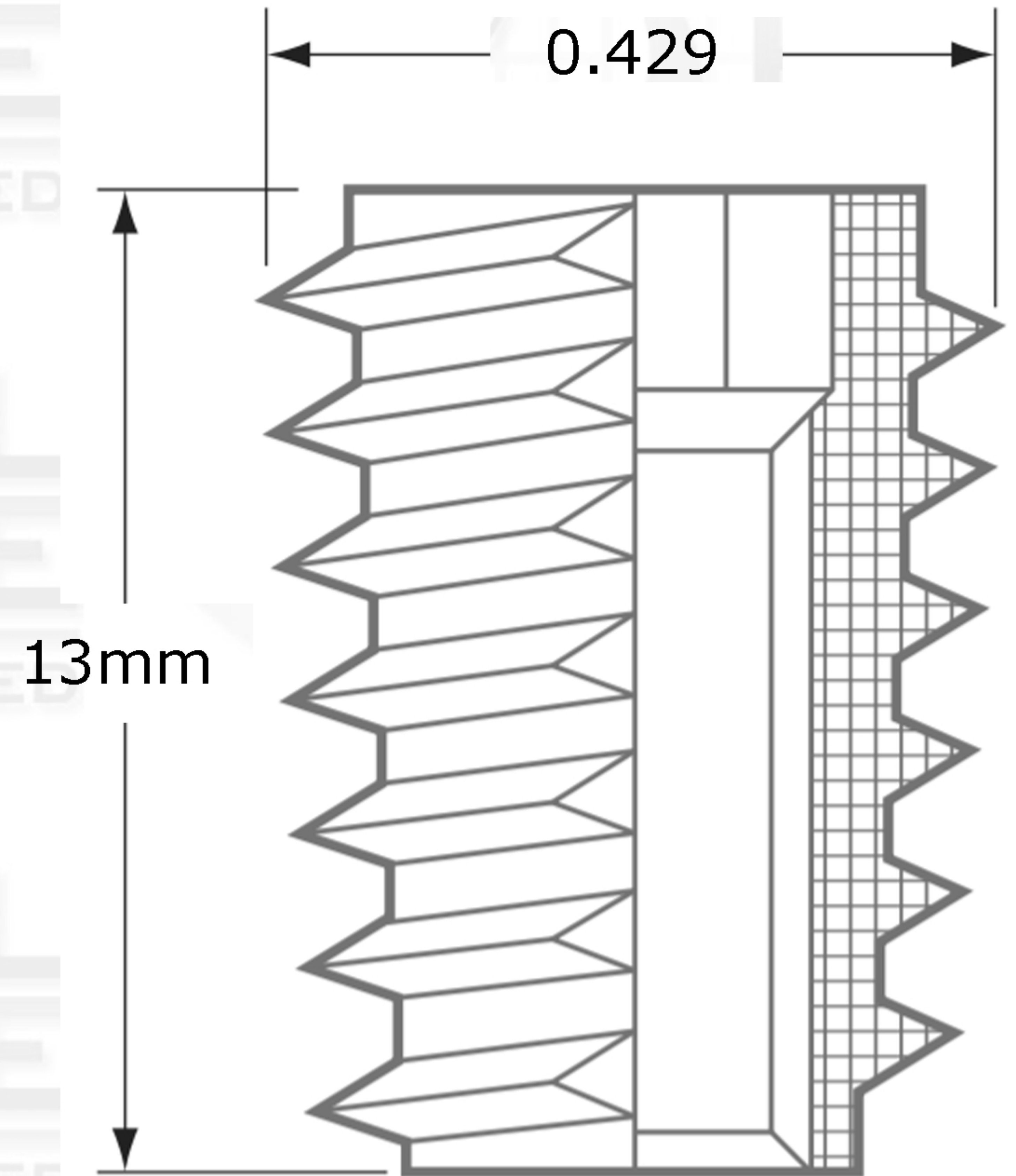
10-24



Hex Drive



		REVISIONS			
ZONE	REV.	DESCRIPTION	DATE	APPROVED	



Suggested Drill Bit Size

 0.2756 (7mm)

PROPRIETARY AND CONFIDENTIAL

THIS DRAWING AND IT'S CONTENT IS THE SOLE PROPERTY OF INDUSTRIAL HARDWARE & SPECIALTIES,INC.. ANY REPRODUCTION IN PART OR AS A WHOLE WITHOUT THE WRITTEN PERMISSION OF INDUSTRIAL HARDWARE & SPECIALTIES,INC. IS STRICTLY PROHIBITED.

				NAME	DATE
			DRAWN		
			CHECKED		
			ENG APPR.		
			MFG APPR.		
			Q.A.		
			COMMENTS:		
NEXT ASSY	USED ON	TH. STANDARD: ANSI/ASME ACRONYM: UNC ROTATION: Right-Hand			
		MATERIAL FINISH Die-Cast Zinc Alloy			
		PART NUMBER 35L6C-TZ28-10-1J			
APPLICATION		DO NOT SCALE DRAWING			



INDUSTRIAL HARDWARE
AND SPECIALTIES INCORPORATED
17-B KENTUCKY AVENUE
PATERSON, NEW JERSEY 07503
TEL: 973-684-4010 FAX: 973-684-3095
email: TechSupport@industrialhardware.com
www.industrialhardware.com

SIZE	DWG. NO.	REV.
A		
SCALE:1:8	WEIGHT:	SHEET 1 OF 1