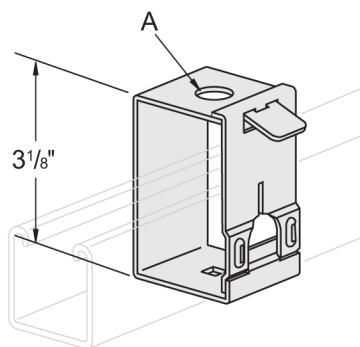


MISC. HARDWARE

SWING GATE HANGER FOR 1-5/8" CHANNEL

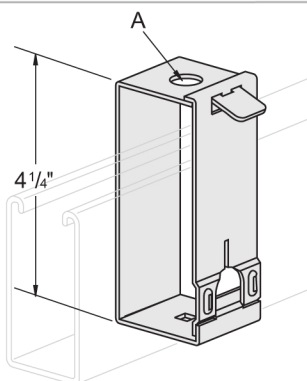


**LEARN MORE!
COME SEE US ONLINE!**

WWW.INDUSTRIALHARDWARE.COM

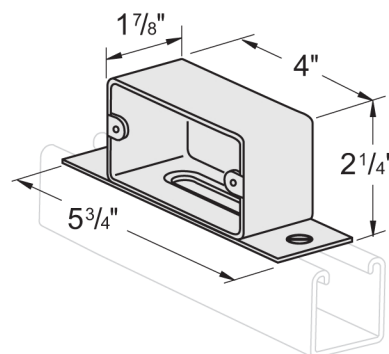
PART #	A	QTY. CTN.	WGT./ 100
4905	9/16"	20	23
4906	7/8"	20	25

SWING GATE HANGER FOR 3-1/4" CHANNEL



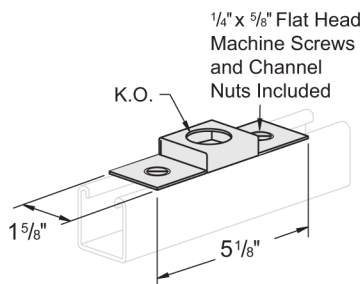
PART #	A	QTY. CTN	WGT./ 100
4907	9/16"	20	30
4908	7/8"	20	30

HANDY OUTLET BOX



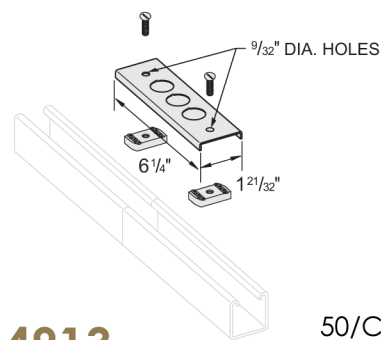
4912 20/CTN
85 LBS/100

CONDUIT CONNECTOR



PART #	SIZE	HOLE	QTY. CTN.	WGT./ 100
4910	1/2"	7/8"	25	28
4911	3/4"	1-3/32"	25	28

CONNECTION PLATE W/ 3 7/8" KNOCKOUTS



4913 50/CTN
35 LBS/100

STANDARD FINISH - EG

1.13