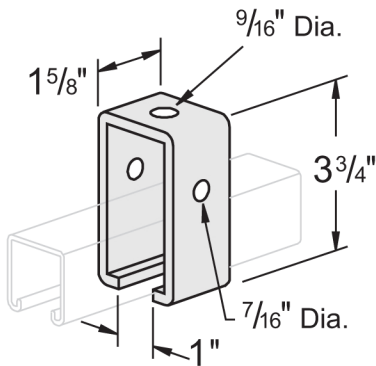


MISC. HARDWARE

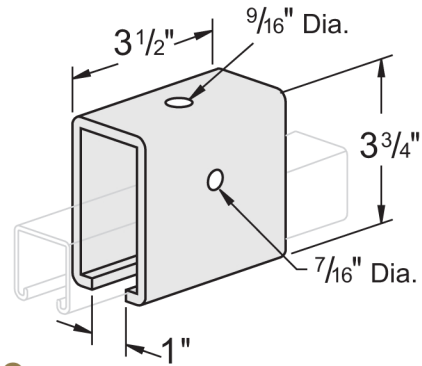
INTERMEDIATE SUPPORT FOR 1-5/8" TROLLEY TRACK



4872

20/CTN
110 LBS/100

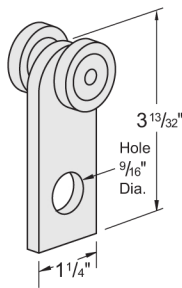
SPLICE SUPPORT FOR 1-5/8" TROLLEY TRACK



4873

10/CTN
220 LBS/100

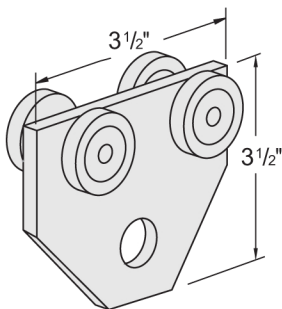
1 HOLE 2 WHEEL TROLLEY



4869

20/CTN
60 LBS/100

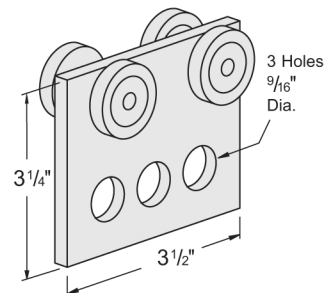
1 HOLE 4 WHEEL TROLLEY



4870

10/CTN
112 LBS/100

3 HOLE 4 WHEEL TROLLEY



4871

BULK
125 LBS/100

STANDARD FINISH - EG

1.13