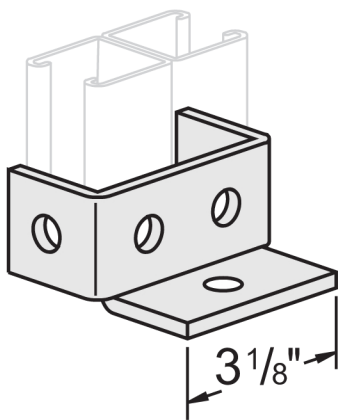


POST BASE

CHANNEL FITTINGS

5 HOLE DOUBLE CHANNEL

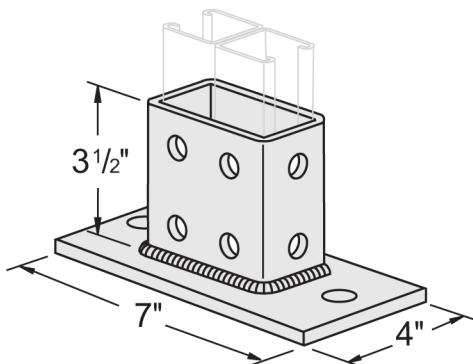


4766

5/CTN
130 LBS/100



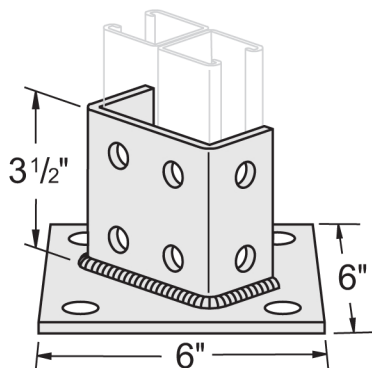
12 HOLE DOUBLE CHANNEL



4775

5/CTN
311 LBS/100

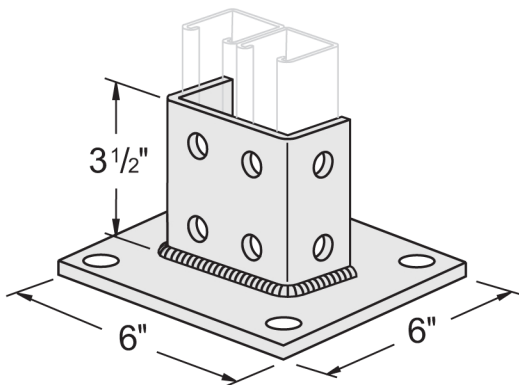
8 HOLE ANGLED DOUBLE CHANNEL



4776

5/CTN
375 LBS/100

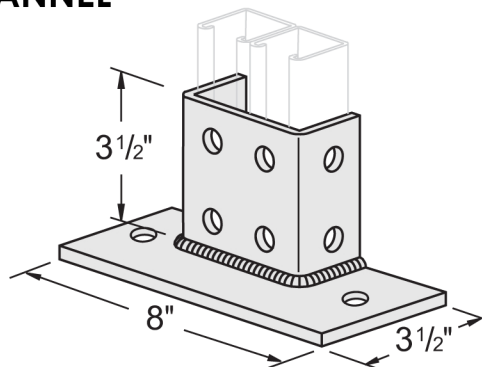
8 HOLE DOUBLE CHANNEL



4777

5/CTN
375 LBS/100

8 HOLE FLUSH MOUNT DOUBLE CHANNEL



4778

5/CTN
320 LBS/100

UNLESS SPECIFIED, MATERIAL IS 1-5/8" WIDE. HOLES ARE 9/16" DIAMETER, 13/16" CENTER TO EDGE, & SPACED 1-7/8" ON CENTER. STANDARD FINISH - EG ALSO AVAILABLE: STAINLESS STEEL & HOT DIPPED GALVANIZED

1.13