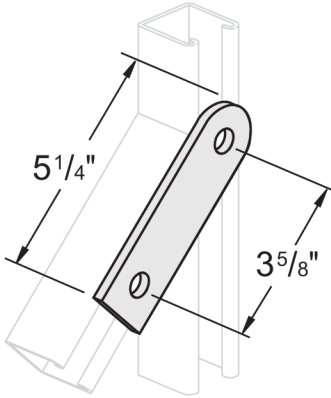


FLAT

CHANNEL FITTINGS

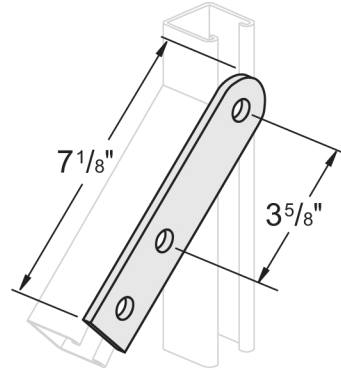
2 HOLE FLAT SWIVEL



4619

25/CTN
49 LBS/100

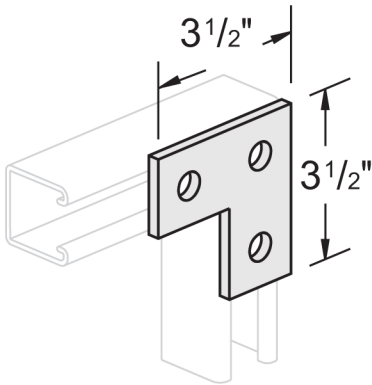
3 HOLE FLAT SWIVEL



4620

25/CTN
76 LBS/100

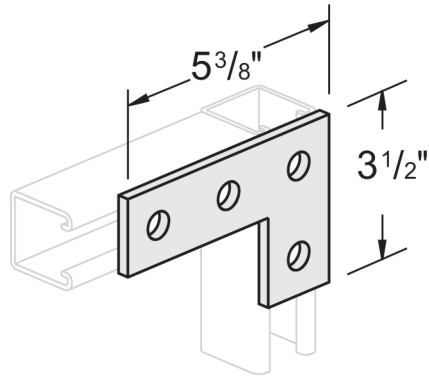
3 HOLE FLAT CORNER



4621

50/CTN
50 LBS/100

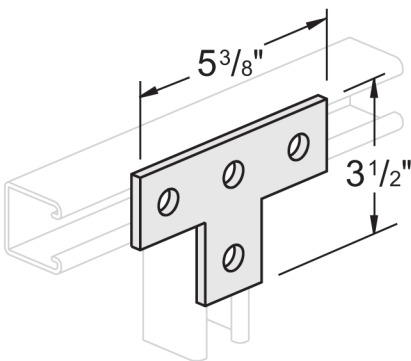
4 HOLE FLAT CORNER



4625

20/CTN
69 LBS/100

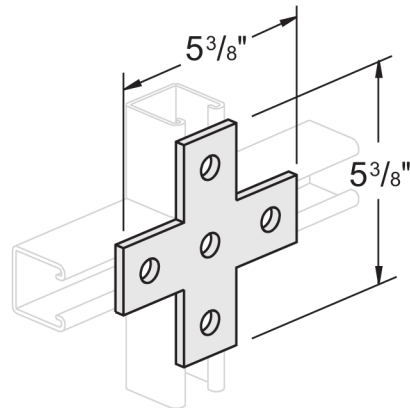
4 HOLE FLAT TEE



4627

25/CTN
66 LBS/100

5 HOLE FLAT CROSS



4628

25/CTN
90 LBS/100

UNLESS SPECIFIED, MATERIAL IS 1-5/8" WIDE. HOLES ARE 9/16" DIAMETER, 13/16" CENTER TO EDGE, & SPACED 1-7/8" ON CENTER. STANDARD FINISH - EG ALSO AVAILABLE: STAINLESS STEEL & HOT DIPPED GALVANIZED

1.13