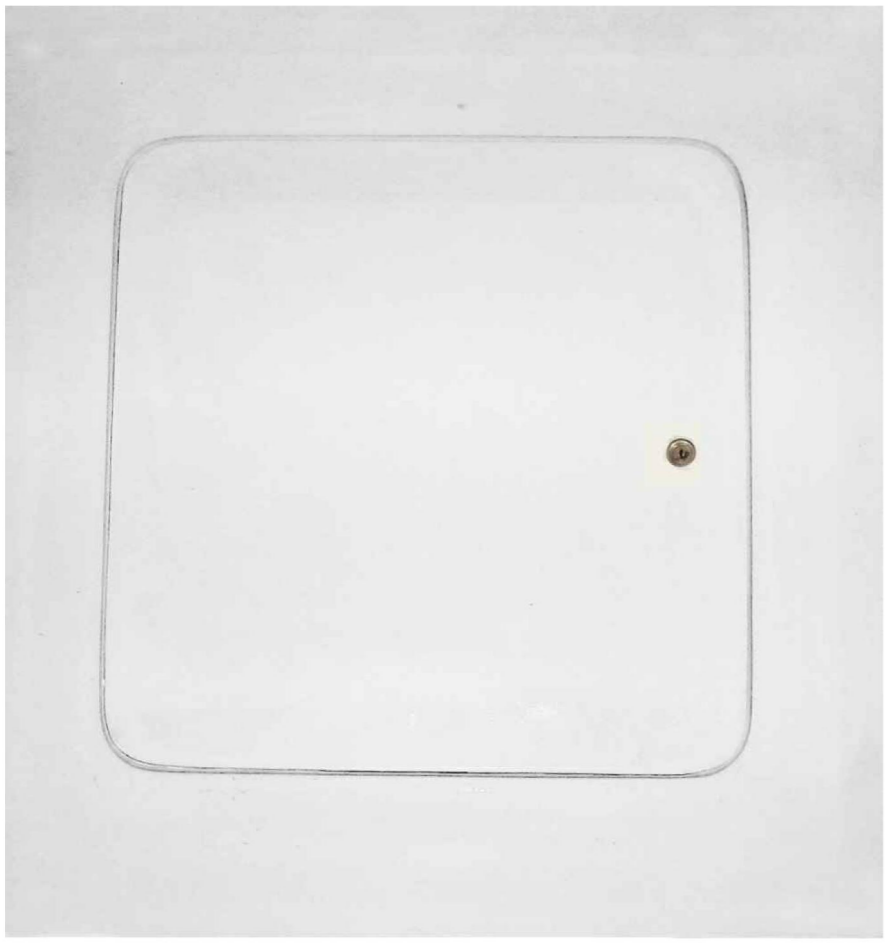




GLASS FIBER REINFORCED GYPSUM HINGED RADIUS ACCESS DOOR MODEL - FGH

DATE



KARP ASSOCIATES, INC.
260 Spagnoli Road Melville, NY 11747
(631) 768-8300 - Phone
(631) 768-8350 - Fax

SPECIFICATIONS

GENERAL SCOPE:


KARP's FGH, glass fiber reinforced gypsum hinged access door, is aesthetically pleasing as it is designed to blend seamlessly into walls and ceiling. Once installed, the FGH access door is concealed for a picture perfect appearance, with the necessary accessibility. KARP's FGH access door is light weight and suitable for new or retrofit construction.

FEATURES

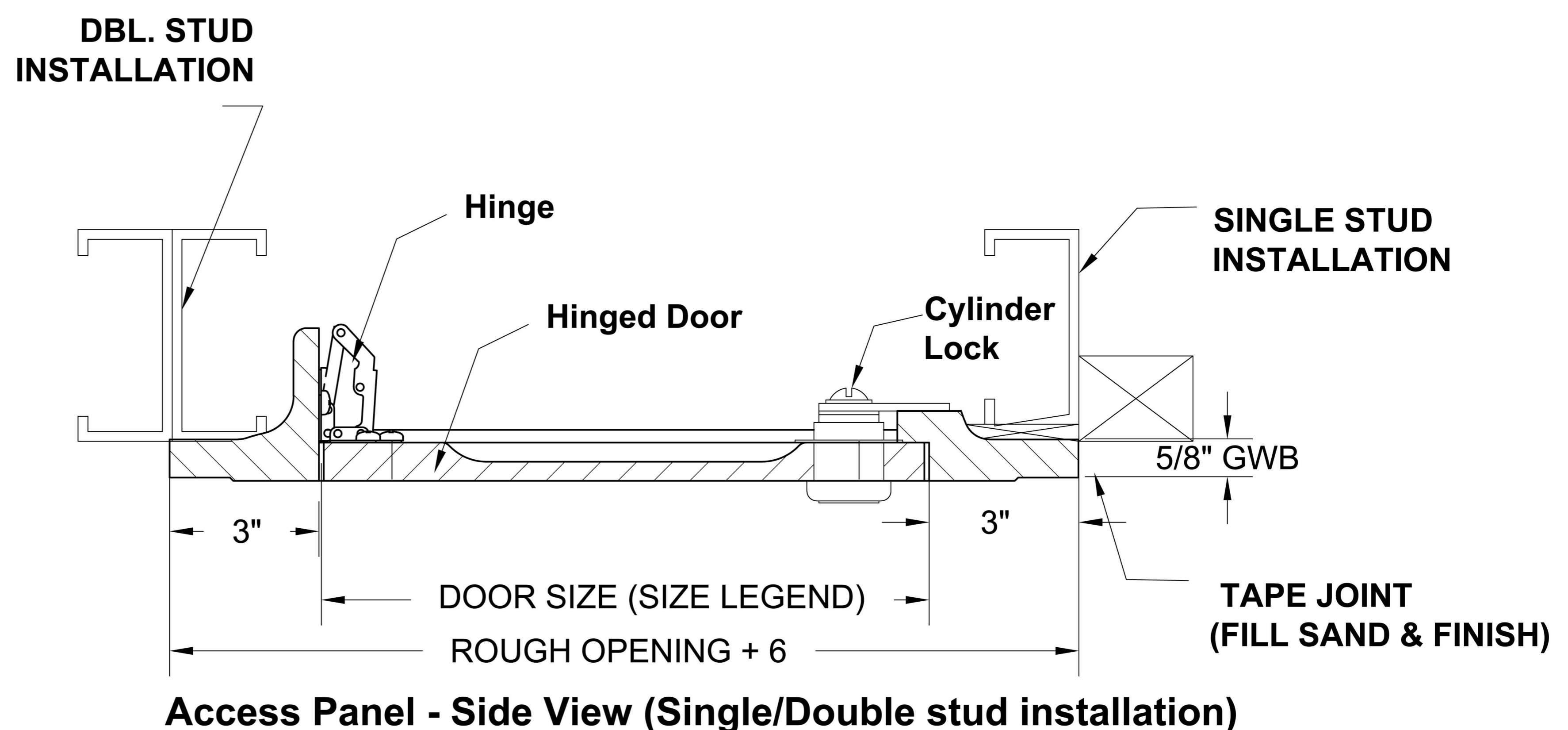
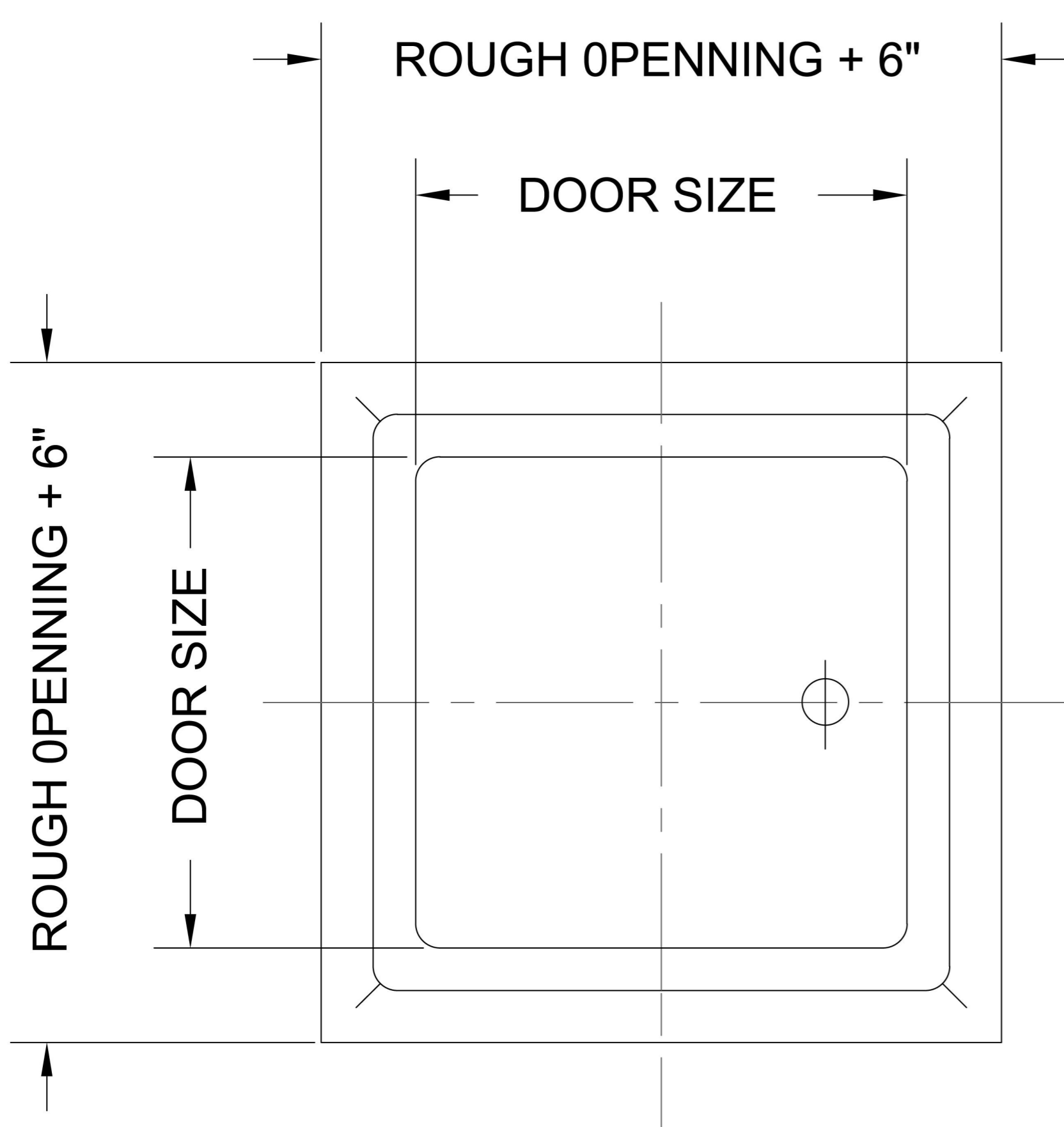
- Tapered Edges
- Mounting Holes
- Offset Cabinet Hinge
- Rounded Edges
- Light Weight
- Cylinder Lock

STANDARD SIZES

DOOR SIZE H X W (IN.)	CEILING OPENING SIZE (IN.)	SHIP WT. (LBS.)
9 x 9	15 x 15	6
12 x 12	18 x 18	9
16 x 16	22 x 22	12
18 x 18	24 x 24	14
24 x 24	30 x 30	23

PROJECT DATA	
Project Name:	
Architect:	
Contractor:	
Agent/Customer Name:	
Tagging Instructions:	
Special Instructions:	
	CALL TO ORDER 973-684-4010 OR CLICK HERE

PROJECT SCHEDULE				
Qty.	H	W	Finish	Remarks



Access Panel -Type Panel Elevations

Access Panel - Side View (Single/Double stud installation)