

# Pocket Door Kits



Pocket door aka "doors that vanish"— Hager Companies offer innovative design options for saving space and complementing classic and contemporary decors.

Hager's pocket-door hardware is ideal for single and bi-parting pocket-door configurations in rough openings from two to four feet.

Steel or aluminum tracks support doors up to 250 lbs. and are designed for simple installation and durable performance. Hager's 4-wheel spring carrier design provides an ultra-smooth gliding movement.

Pocket door hardware is available in kits (by opening length) or individual components.

Pocket frame kits include all the framing and hardware components to make installing pocket doors easy.

**FOR ANY HAGER PURCHASE CONTACT INDUSTRIAL HARDWARE & SPECIALTIES INC.  
CALL 1800-684-4010**



2016  
[www.hagerco.com](http://www.hagerco.com)



## POCKET - 9110 & 9130 PACKAGED SETS

### FEATURES

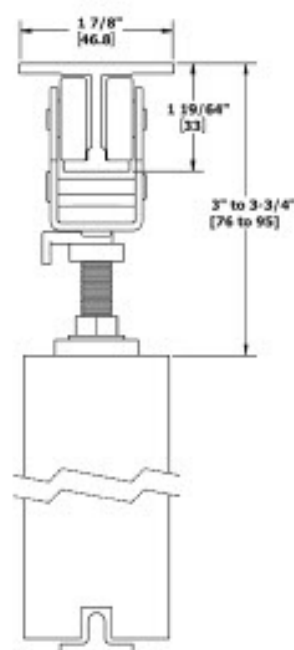
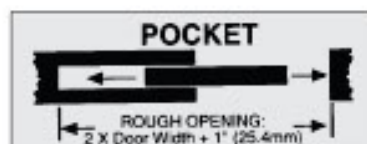
- Extra heavy duty aluminum I-beam track and hardware
- Conforms to ANSI A156.14
- Type: D8681, D8711

### SPECIFICATIONS

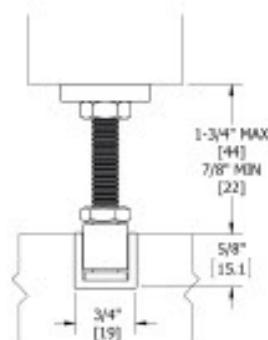
- For doors 1" - 1-3/4" (25 mm - 44 mm) thick doors
- 9110 Packaged Sets up to 175 lbs (80 kg) per door
- 9130 Packaged Sets up to 275 lbs (125 kg) per door
- Track is extruded aluminum jump-proof style with "I" beam track
- Hangers have 1" (25 mm) diameter wheels

Part Number	Description
<b>9110 Packaged Set</b>	
Includes one (1) 9101 track and one (1) 9109 parts bag: two (2) 9102 hangers, and one (1) 9115 floor guide	
9110-60	Pocket Door Set - 5' (1524 mm) for 2'6" (762 mm) door
9110-72	Pocket Door Set - 6' (1829 mm) for 3'0" (914 mm) door
9110-84	Pocket Door Set - 7' (2134 mm) for 3'6" (1067 mm) door
9110-96	Pocket Door Set - 8' (2438 mm) for 4'0" (1219 mm) door
9110-120	Pocket Door Set - 10' (3048 mm) for 5'0" (1524 mm) door
9110-144	Pocket Door Set - 12' (3658 mm) for 6'0" (1829 mm) door
<b>9130 Packaged Set</b>	
Includes one (1) 9101 track and one (1) 9129 parts bag: two (2) 9105 hangers, and one (1) 9115 floor guide	
9130-60	Pocket Door Set - 5' (1524 mm) for 2'6" (762 mm) door
9130-72	Pocket Door Set - 6' (1829 mm) for 3'0" (914 mm) door
9130-84	Pocket Door Set - 7' (2134 mm) for 3'6" (1067 mm) door
9130-96	Pocket Door Set - 8' (2438 mm) for 4'0" (1219 mm) door
9130-120	Pocket Door Set - 10' (3048 mm) for 5'0" (1524 mm) door
9130-132	Pocket Door Set - 11' (3353 mm) for 5'6" (1676 mm) door
9130-144	Pocket Door Set - 12' (3658 mm) for 6'0" (1829 mm) door

Part Number	Description
<b>Tracks for use with 9110 Series and 9130 Series</b>	
9101-72	72" (1829 mm) Aluminum I-Beam Track
9101-84	84" (2134 mm) Aluminum I-Beam Track
9101-96	96" (2438 mm) Aluminum I-Beam Track
9101-120	120" (3048 mm) Aluminum I-Beam Track
9101-144	144" (3658 mm) Aluminum I-Beam Track
9101-192	192" (4877 mm) Aluminum I-Beam Track



Optional Bottom Track  
9121 - 9122



Installation note: Clearance between door bottom and top of 9122 track must be 7/8" (22 mm) minimum to 1-3/4" (44 mm) maximum.

FOR ANY HAGER PURCHASE CONTACT INDUSTRIAL HARDWARE & SPECIALTIES INC.  
CALL 1800-684-4010



## POCKET - 9110 & 9130 TRACK COMPONENTS



### 9101

#### Aluminum I-Beam Track

Materials: Extruded aluminum  
 Gauge: 0.125" (3 mm) thick  
 Lengths: 72" (1829 mm) to 192" (4877 mm)

Notes:

- Mounting holes are pre-punched for ease of installation
- Requires two sets for by-pass opening



### 3835

#### Small Case Deadlock

See page 63 for details



### 9109

#### Parts Bag

Includes two (2) 9102 2-wheel hangers and one (1) 9115 floor guide  
 Note: Up to 175 lbs (79 kg) per door

### Optional Part Bags



### 9129

#### Parts Bag

Includes two (2) 9105 2-wheel hangers and one (1) 9115 floor guide  
 Note: Up to 275 lbs (125 kg) per door



### 9102

#### 2 Wheel Hanger

Materials: Zinc plated steel  
 Wheels:

- Nylon with Steel Ball Bearings
- Two self-aligning wheel hangers allow consistent contact with track

Hanger: 1-3/16" x 2" x 1-1/8" (46 mm x 51 mm x 29 mm)

Bolt: 3/8" x 2-5/16" (10 mm x 59 mm)  
 (Bolt not same as 9105)

Top Plate: 1" x 3-1/2" x 3/16" (25 mm x 89 mm x 5 mm)

Notes:

- Use with 9101 track
- Up to 175 lbs (79 kg) per door



### 9105

#### 4 Wheel Hanger

Materials: Zinc plated steel  
 Wheels: Nylon with steel ball bearings

Hanger: 4" x 2" x 1-3/4" (102 mm x 51 mm x 45 mm)  
 • Up to 275 lbs (125 kg) per door

Bolt: 3/8" x 2-5/16" (10 mm x 59 mm)

Top Plate: 1" x 3-1/2" x 3/16" (25 mm x 89 mm x 5 mm)

Notes:

- Use with 9101 track, with doors weighing up to 275 lbs (125 kg)
- Four self-aligning wheel hangers allow consistent contact with track



### 9115

#### Bottom Door Guide

Materials: Die cast zinc aluminum alloy  
 Guide: 7/8" x 3/4" x 3" (22 mm x 19 mm x 76 mm)

Notes: Door bottom prep requires 1/4" (6 mm) wide kerf and 9/16" (14 mm) depth

### Optional Components

9111	Fixed Bottom Guide
9113	Stop
9114	Bottom Guide Rail
9884	Pocket Door Edge Pull

FOR ANY HAGER PURCHASE CONTACT INDUSTRIAL HARDWARE & SPECIALTIES INC.







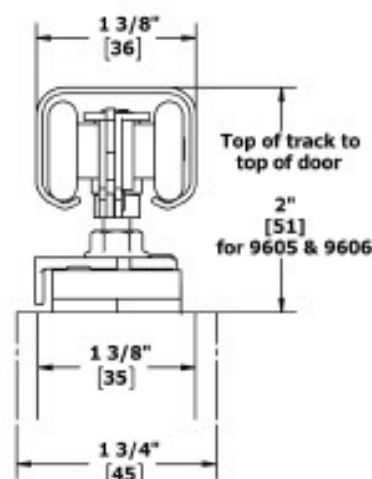
## POCKET - 9678 POCKET DOOR SET

### FEATURES

- Heavy duty aluminum box track and hardware
- Conforms to ANSI A156.14
- Type: D8681, D8711

### SPECIFICATIONS

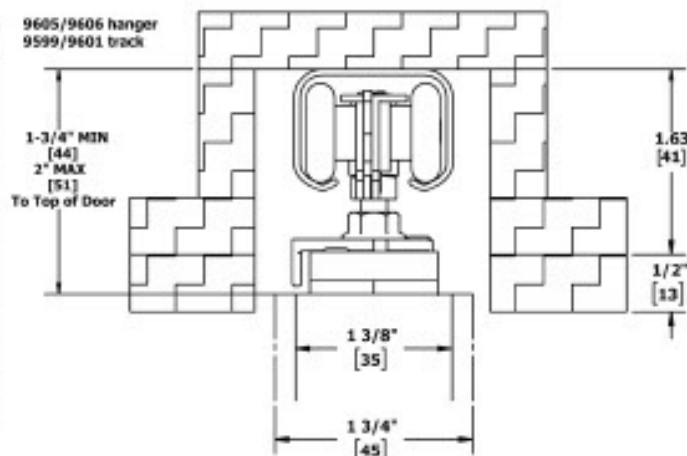
- For doors 1-1/8" - 1-3/4" (29 mm - 44 mm) thick
- Up to 125 lbs (57 kg) per door with 9605 hangers
- Up to 150 lbs (68 kg) per door with 9606 hangers
- Track is extruded aluminum jump-proof style with "V" shaped rails
- Hangers have four 7/8" (22 mm) diameter wheels for 9605 and wheels mounted on ball bearing shafts for 9606



Part Number	Description
9678 Pocket Door Set for 125 lb. doors	Includes one (1) 9601 track and one (1) 9632 parts bag: two (2) 9605 hangers, two (2) 9883 guides, and one (1) 9881 bumper
9678-72	Pocket Door Set - 6' (1829 mm) for 3'0" (914 mm) door
9678-96	Pocket Door Set - 8' (2438 mm) for 4'0" (1219 mm) door

### TRACKS - 0.05" (1.3 mm) thick aluminum

Part Number	Description
Tracks for use with 9601 Series	
9601-35	35" (889 mm) Aluminum Box Track
9601-47	47" (1194 mm) Aluminum Box Track
9601-55	55" (1397 mm) Aluminum Box Track
9601-59	59" (1499 mm) Aluminum Box Track
9601-63	63" (1600 mm) Aluminum Box Track
9601-71	71" (1803 mm) Aluminum Box Track
9601-96	96" (2438 mm) Aluminum Box Track
9601-120	120" (3048 mm) Aluminum Box Track
9601-144	144" (3658 mm) Aluminum Box Track



FOR ANY HAGER PURCHASE CONTACT INDUSTRIAL HARDWARE & SPECIALTIES INC.  
CALL 1800-684-4010



## POCKET - 9678 TRACK COMPONENTS



### 9601

#### Aluminum Box Track

- Materials: Extruded aluminum  
 Gauge: 0.050" (1.3 mm)  
 Track: 1-1/16" x 1-3/8"  
 (27 mm x 35 mm)  
 Lengths: 35" (889 mm) to 144"  
 (3657 mm)  
 Notes:
- Refer to series pages for weight capacities
  - Jump proof twin channel design



### 3835

#### Small Case Deadlock

See page 63 for details



### 9632

#### Parts Bag

Includes two (2) 9605 hangers, two (2) 9883 guides, and one (1) 9881 bumper



### Optional Part Bags

#### 9633

#### Parts Bag

Includes two (2) 9606 hangers, two (2) 9883 guides, and one (1) 9881 bumper  
 \* For doors weighing up to 150 lbs. (68 kg)



### 9605

#### 4-Wheel Hanger

- Materials: Steel with brass-tone dichromate finish  
 Wheel: 7/8" (22 mm) diameter  
 Notes:
- Up to 125 lbs (57 kg) per door
  - Self-aligning to allow consistent contact with track
  - Pre-lubricated Celcon wheels mounted on steel ball bearing shafts
  - Can be used on pivot set
  - Use in conjunction with 9601 or 9602 track



### 9606

#### 4-Wheel Ball Bearing Hanger

- Materials: Steel with brass-tone dichromate finish  
 Wheel: 7/8" (22 mm) diameter  
 Notes:
- Up to 150 lbs (68 kg) per door
  - Self-aligning to allow consistent contact with track
  - Pre-lubricated Celcon wheels mounted on steel ball bearing shafts
  - Used in conjunction with 9607, 9608 or 9610 top door plate and 9599, 9601 or 9602 track



### 9883

#### Two Piece Pocket Door Guide

- Materials: Polyethylene  
 Guide: 1-3/16" x 3/4" x 1-1/8"  
 (21 mm x 19 mm x 29 mm)  
 Notes:
- Two pieces per door required
  - Screws to jamb to guide door and prevent rubbing



### 9881

#### Bumper

- Materials: Rubber  
 Stop: 1/2" diameter x 3/8" deep  
 (13 mm x 10 mm)  
 Notes: With screws

### Optional Components

- |      |                            |
|------|----------------------------|
| 330D | Pocket Door Latch          |
| 330L | Pocket Door Privacy Latch  |
| 330M | Pocket Door Privacy Latch  |
| 2630 | Flush Cup Pull             |
| 9884 | Pocket Door Edge Pull      |
| 9815 | Bumper Stop                |
| 9889 | Non-Adjustable Floor Guide |

For optional components see pages 59-63

FOR ANY HAGER PURCHASE CONTACT INDUSTRIAL HARDWARE & SPECIALTIES INC.





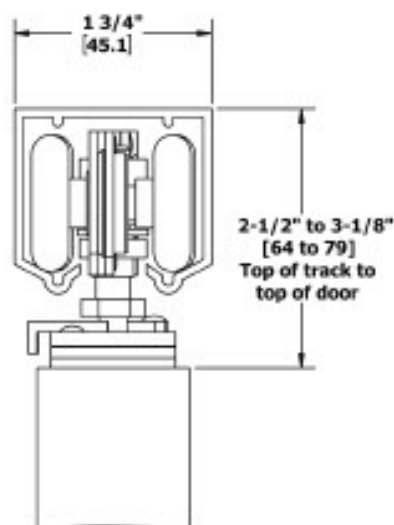
## POCKET - 9878 PACKAGED SETS

### FEATURES

- Extra heavy duty aluminum box track and hardware
- Conforms to ANSI A156.14
- Type: D8681, D8711

### SPECIFICATIONS

- For doors 1-3/8" - 1-3/4" (35 mm - 44 mm) thick
- Up to 250 lbs (113 kg) per door
- Track is extruded aluminum jump-proof style with "V" shaped rails
- Hangers have four 1-1/4" (32 mm) diameter wheels



*Interchanges with Stanley 57/58.*

Part Number	Description
9878 Series Set	Includes one (1) 9801 track and one (1) 9742 parts bag
9878-72	Pocket Door Set - 6' (1829 mm) for 30" (914 mm) door
9878-96	Pocket Door Set - 8' (2438 mm) for 40" (1219 mm) door

### TRACKS - 0.075" (1.9 mm) thick aluminum

Part Number	Description
Tracks for use with 9801 Series	
9801-72	72" (1829 mm) Aluminum Box Track
9801-96	96" (2438 mm) Aluminum Box Track
9801-120	120" (3048 mm) Aluminum Box Track
9801-144	144" (3658 mm) Aluminum Box Track
9801-192	192" (4877 mm) Aluminum Box Track

FOR ANY HAGER PURCHASE CONTACT INDUSTRIAL HARDWARE & SPECIALTIES INC.  
CALL 1800-684-4010







## POCKET - 9878 TRACK COMPONENTS



### 9801

#### Extra Heavy Duty Box Track

- Materials: Extruded aluminum  
 Gauge: 0.075" (1.9 mm)  
 Track: 1-5/8" x 1-3/4"  
 (41 mm x 44 mm)  
 Lengths: 72" (1829 mm) to 192"  
 (4877 mm)  
 Notes:
  - For doors up to 250 lbs (113 kg)
  - Jump proof twin channel design



### 3835

#### Small Case Deadlock

- Thumbturn: Meet ADA Requirements, "No pinch," No grasp."  
 Lock Case: Heavy wrought steel with zinc dichromate finish - 4-5/16" x 3-9/16" x 1" (110 mm x 90 mm x 25 mm)  
 Armor Front: 1-1/4" x 5-5/8" x 7/32" (32 mm x 143 mm x 5 mm)  
 Keys: Two operating keys supplied per lock  
 Cylinder:
  - Brass - keyed different - C keyway - Standard
  - Other keying options, including keyed 6-pin, available from factory
  - SFIC uncombined or combined, brass 6- or 7-pin sold separately
  - Drilled 6-pin, keyed 5-pin - Standard
  - Small Format Interchangeable Core housing available
  - Schlage "L" cam - Standard
 Door Thickness:
  - 1-3/8" - 2-1/2" (35mm-64mm) - steel door
  - 1-3/4" - 2-1/2" (45mm-64mm)- wood door
  - Must specify door thickness if greater than 1-3/4" (45mm)
 Backset: 2-3/4" (70 mm) only  
 Deadbolt: 1" (25 mm) throw - stainless steel  
 Strike: 1 1/8" wide x 3 1/2" (29mm x 89mm) NO LIP  
 Finishes: US26D  
 Functions: 35-Cylinder x Thumbturn, 36-Single Cylinder, 37-Double Cylinder, 38-Thumbturn Only, 39-Thumbturn w/ Emergency Key



### 9742

#### Parts Bag

- Includes two (2) 9827 hangers, two (2) 9883 guides, and one (1) 9881 bumper



### 9827

#### Four Wheel Ball Bearing Hanger

- Materials: Zinc plated steel  
 Wheels: Self aligning to allow consistent contact with track  
 Wheel: 1-1/4" (32 mm) diameter  
 Notes:
  - For doors up to 75 lbs (34 kg)
  - Pre-lubricated Celcon wheels on steel shafts with steel ball bearings
  - Ball bearing axles
  - For use with 9801 track



### 9881

#### Bumper

- Materials: Rubber  
 Stop: 1/2" diameter x 3/8" deep (13 mm x 10 mm)  
 Notes: With screws



### 9883

#### Two Piece Pocket Door Guide

- Materials: Polyethylene  
 Guide: 1-3/16" x 3/4" x 1-1/8" (21 mm x 19 mm x 29 mm)  
 Notes:
  - Two pieces per door required
  - Screws to jamb to guide door and prevent rubbing

### Optional Components

- |      |                            |
|------|----------------------------|
| 330D | Pocket Door Latch          |
| 330L | Pocket Door Privacy Latch  |
| 330M | Pocket Door Privacy Latch  |
| 2630 | Flush Cup Pull             |
| 9884 | Pocket Door Edge Pull      |
| 9815 | Bumper Stop                |
| 9884 | Pocket Door Edge Pull      |
| 9889 | Non-Adjustable Floor Guide |

For optional components see pages 59-63

FOR ANY HAGER PURCHASE CONTACT INDUSTRIAL HARDWARE & SPECIALTIES INC.





## POCKET - 9901 SERIES

### FEATURES

- Extra heavy duty aluminum box track and hardware
- Conforms to ANSI A156.14
- Type: D8681

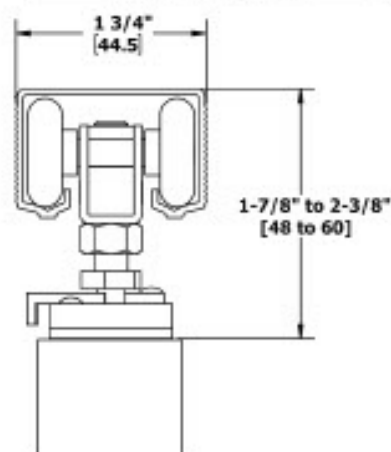
### SPECIFICATIONS

- For doors 1-3/8" - 1-3/4" (35 mm - 44 mm) thick
- Up to 250 lbs (113 kg) per door
- Quick release hangers allow easy door hanging and removal
- Hangers interchange with Stanley & Johnson track and hangers
- Universal extruded aluminum track interchanges with Stanley & Johnson track and hangers
- Hangers have 1" (25 mm) diameter ball bearing wheels

Part Number	Description
9901 Series Set	Includes one (1) 9821 track and one (1) 9895 parts bag: two (2) 9825 hangers, two (2) 9883 guides, and one (1) 9881 bumper
9901-72	Pocket Door Set - 6' (1829 mm) for 3'0" (914 mm) door
9901-96	Pocket Door Set - 8' (2438 mm) for 4'0" (1219 mm) door

**TRACKS** - 0.06" (1.5 mm) thick aluminum

Part Number	Description
Tracks for use with 9901 Series	
9821-59	59" (1499 mm) Aluminum Box Track
9821-71	71" (1803 mm) Aluminum Box Track
9821-96	96" (2438 mm) Aluminum Box Track
9821-144	144" (3658 mm) Aluminum Box Track



*Interchanges with Stanley 125/250 Series and Johnson 100 Series.*

**FOR ANY HAGER PURCHASE CONTACT INDUSTRIAL HARDWARE & SPECIALTIES INC.  
CALL 1800-684-4010**







## POCKET - 9901 SERIES TRACK COMPONENTS



### 9821

#### Aluminum Box Track

- Materials: Extruded aluminum  
 Gauge: 0.06" (1.55 mm)  
 Track: 1-5/8" x 1-1/16"  
 (41 mm x 27 mm)  
 Lengths: 59" (1499 mm) to 144"  
 (3658 mm)  
 Notes:
  - For doors up to 250 lbs (113 kg)
  - Jump proof twin channel design



### 3835

#### Small Case Deadlock

- Thumbturn: Meet ADA Requirements, "No pinch," No grasp."  
 Lock Case: Heavy wrought steel with zinc dichromate finish - 4-5/16" x 3-9/16" x 1" (110 mm x 90 mm x 25 mm)  
 Armor Front: 1-1/4" x 5-5/8" x 7/32" (32 mm x 143 mm x 5 mm)  
 Keys: Two operating keys supplied per lock  
 Cylinder:
  - Brass - keyed different - C keyway - Standard
  - Other keying options, including keyed 6-pin, available from factory
  - SFIC uncombined or combined, brass 6- or 7-pin sold separately
  - Drilled 6-pin, keyed 5-pin - Standard
  - Small Format Interchangeable Core housing available
  - Schlage "L" cam - Standard
 Door Thickness:
  - 1-3/8" - 2-1/2" (35mm-64mm) - steel door
  - 1-3/4" - 2-1/2" (45mm-64mm)- wood door
  - Must specify door thickness if greater than 1-3/4" (45mm)
 Backset: 2-3/4" (70 mm) only  
 Deadbolt: 1" (25 mm) throw - stainless steel  
 Strike: 1 1/8" wide x 3 1/2" (29mm x 89mm) NO LIP  
 Finishes: US26D  
 Functions: 35-Cylinder x Thumbturn, 36-Single Cylinder, 37-Double Cylinder, 38-Thumbturn Only, 39-Thumbturn w/ Emergency Key



### 9895

#### Parts Bag

- Includes two (2) 9825 4-wheel ball bearing hangers with quick release top plate, two (2) 9883 guides, and one (1) 9881 bumper



### 9825

#### 4 Wheel Ball Bearing Hanger with Quick Release Top Mount Plate

- Materials: Zinc plated steel  
 Wheels: Self aligning to allow consistent contact with track  
 Wheel: 1" (25 mm) diameter  
 Notes:
  - Pre-lubricated Celcon wheels
  - Up to 250 lbs (113 kg) doors
  - For use with 9821 track
  - Quick release feature allows easy door hanging and removal



### 9883

#### Two Piece Pocket Door Guide

- Materials: Polyethylene  
 Guide: 1-3/16" x 3/4" x 1-1/8" (21 mm x 19 mm x 29 mm)  
 Notes:
  - Two pieces per door required
  - Screws to jamb to guide door and prevent rubbing



### 9881

#### Bumper

- Materials: Rubber  
 Stop: 1/2" diameter x 3/8" deep (13 mm x 10 mm)  
 Notes: With screws

### Optional Components

- 330D Pocket Door Latch  
 330L Pocket Door Privacy Latch  
 330M Pocket Door Privacy Latch  
 2630 Flush Cup Pull  
 9559 Aligner  
 9815 Bumper Stop  
 9884 Pocket Door Edge Pull  
 9889 Non-Adjustable Floor Guide

For optional components see pages 59-63

FOR ANY HAGER PURCHASE CONTACT INDUSTRIAL HARDWARE & SPECIALTIES INC.





## POCKET - 9628 | 9629 | 9630 | 9631

### FEATURES

- Heavy duty pocket door kit
- Conform to ANSI A156.14
- Type: D8671, D8701

## Pocket Door Kit

### SPECIFICATIONS

- Jump proof track and rollers
- Pre-assembled header assembly goes up quickly
- Easy door installation and removal for painting and repair
- Real wood split studs, size 3/4" x 1-5/8" (19 mm x 26 mm) length relative to height, steel encased for rigidity and to prevent fastener penetration into the pocket
- Track header unit attaches to rough framing at both ends - split studs nail or screw to track header - no connections to rough header
- 2 pair of split studs with wood inserts
- See chart below for appropriate kit

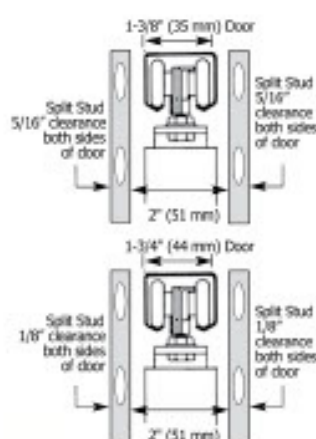
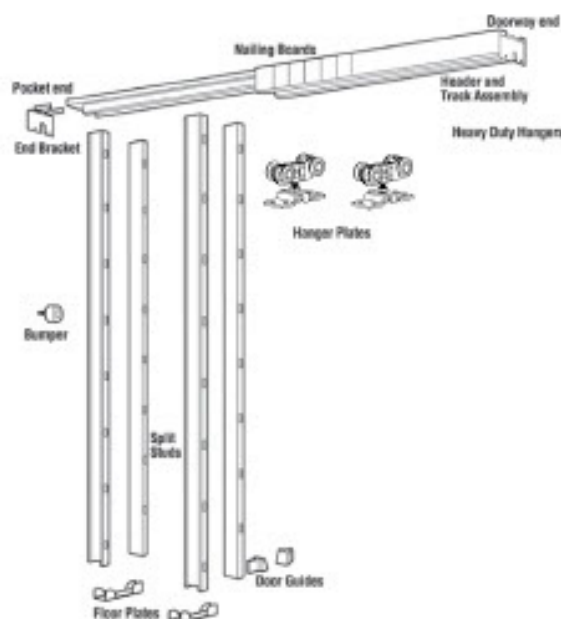
Part #	Max Door Weight	Door Thickness*	Door Width	Door Height	Hanger Bearings
9628	150 lbs (68 kg)	1-3/8" - 1-3/4" (35 mm - 44 mm)	3'0" (914 mm)	9'0" (2743 mm)	9606 Steel Ball
9629	150 lbs (68 kg)	1-3/8" - 1-3/4" (35 mm - 44 mm)	3'0" (914 mm)	8'0" (2438 mm)	9606 Steel Ball
9630	150 lbs (68 kg)	1-3/8" - 1-3/4" (35 mm - 44 mm)	3'0" (914 mm)	7'0" (2134 mm)	9606 Steel Ball
9631	125 lbs (57 kg)	1-3/8" - 1-3/4" (35 mm - 44 mm)	3'0" (914 mm)	6'8" (2032 mm)	9605 Molded Celcon

\* 9634 adapter kit is recommended for 1-3/4" (45 mm) doors (sold separately).

Installation Note: For bi-parting doors, use Hager double pocket door kit 9639 (sold separately).



Joins two pocket door frames to make one large doorway. Rough opening width changes to door width multiplied by four.



Note: 9634 adapter kit (sold separately) recommended for doors 1-3/4" (45 mm) thick.

### Contents

Quantity	Description
1	Header assembly
2	Pair of split studs
2	Heavy duty hangers
2	Door hanger plates
1	Bumper
1	Pair of door guides
1	Adjusting wrench
2	Floor plates
1	Doorway end bracket
1	Pocket end bracket

FOR ANY HAGER PURCHASE CONTACT INDUSTRIAL HARDWARE & SPECIALTIES INC.

CALL 1800-684-4010





## POCKET - 9850

### FEATURES

- Heavy duty pocket door kit
- Conform to ANSI A156.14
- Type: D8671, D8701

## Pocket Door Kit

### SPECIFICATIONS

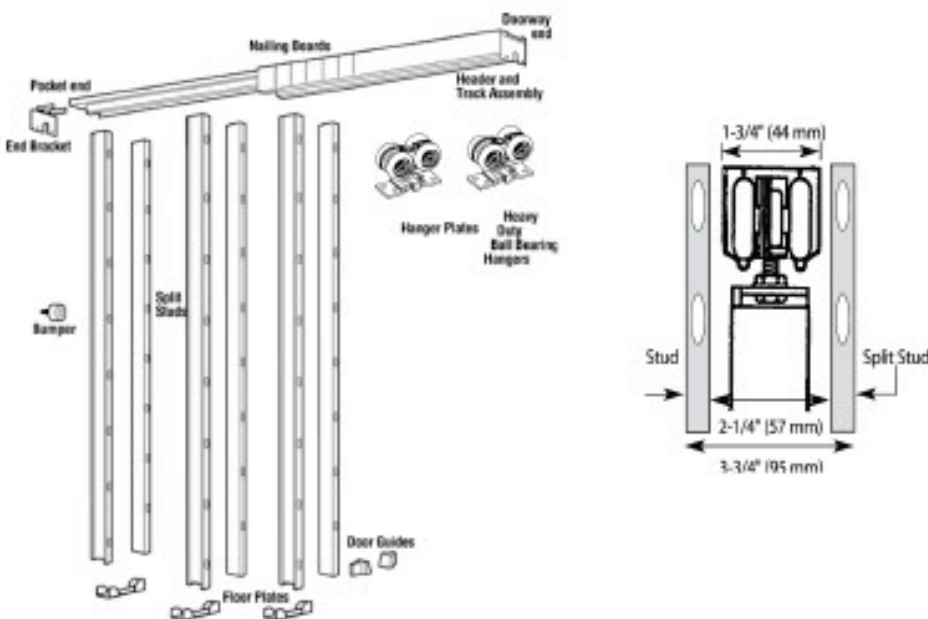
- For doors 1-3/8" - 1-3/4" (35 mm - 44 mm) thick, up to 4'0" (1219 mm) wide and 8'0" (2438 mm) or 8'6" (2591 mm) high, weighing up to 250 lbs (112 kg)
- Jump proof track and rollers
- 9801 heavy duty aluminum box track
- Pre-assembled header assembly goes up quickly
- Easy door installation and removal for painting and repair
- Real wood split studs, size 3/4" x 1-5/8" (19 mm x 26 mm) length relative to height, steel encased for rigidity and to prevent fastener penetration into the pocket
- Track header unit attaches to rough framing at both ends - split studs nail or screw to track header - no connections to rough header
- 3 pair of split studs with wood inserts

Part #	Max Door Weight	Door Thickness*	Door Width	Door Height	Hanger Bearings
9850	250 lbs (57 kg)	1-3/8" - 1-3/4" (35 mm - 44 mm)	4'0" (1219 mm)	8'0" (2438 mm)	9829 Steel Ball

Installation Note: For bi-parting doors, use Hager double pocket door kit 9639 (sold separately).



Joins two pocket door frames to make one large doorway. Rough opening width changes to door width multiplied by four.



### Contents

Quantity	Description
1	Header assembly
3	Pair of split studs
2	Heavy duty hangers
2	Door hanger plates
1	Bumper
1	Pair of door guides
1	Adjusting wrench
3	Floor plates
1	Doorway end bracket
1	Pocket end bracket

FOR ANY HAGER PURCHASE CONTACT INDUSTRIAL HARDWARE & SPECIALTIES INC.

CALL 1800-684-4010







## POCKET - POCKET DOOR KIT COMPONENTS



### 330D

#### Pocket Door Latch

Certification: Meets ANSI A156.14 for D0821.1

Size: 2-3/4" x 2-1/2"  
(70 mm x 64 mm)

Finger Piece: 1-3/8" (35 mm) extension

Materials: Brass

Finishes: US3, US5, US10B, US15, US15A, US19, US26, US26D

Fasteners: Two (2) #6 x 5/8" OPHWS; (2) #6 x 3/4" FPHWS

Notes: For use with 1-3/8" to 1-3/4" (35 mm to 45 mm) door



### 2610

#### Flush Cup Finger Pull

Overall Diameter: 31/32" (25 mm)

Finger Pull: 3/4" (19 mm) diameter

Depth: 5/16" (8 mm)

Projection: 1/32" (.8 mm)

Materials: Solid brass

Finishes: US3, US4, US5, US10A, US15, US15A, US26, US26D, ABA

Notes: Built-in prong design eliminates the need for screws or brads.



### 330L

#### Pocket Door Privacy Latch

Size: 2-3/4" x 2-1/2"  
(70 mm x 64 mm)

Finger Piece: 1-3/8" (35 mm) extension

Strike Size: 1" x 2-1/4" (25 mm x 57 mm)

Materials: Brass

Finishes: US3, US5, US10B, US15, US15A, US19, US26, US26D

Fasteners: Two (2) #6 x 5/8" OPHWS; (2) #6 x 3/4" FPHWS

Notes: For use with 1-3/8" door



### 2630

#### Flush Cup Pull

Overall Diameter: 2-7/16" (62 mm)

Finger Pull: 2-1/16" (52 mm) diameter

Depth: 11/32" (9 mm)

Projection: 3/32" (2 mm)

Materials: Solid brass

Finishes: US3, US4, US5, US10A, US15, US15A, US26, US26D, ABA

Notes: Built-in prong design eliminates the need for screws or brads.



### 330M

#### Pocket Door Privacy Latch

Certifications: Meets ANSI A156.14 for D0831

Size: 2-3/4" x 2-1/2"  
(70 mm x 64 mm)

Finger Piece: 1-3/8" (35 mm) extension

Strike Size: 1" x 2-1/4" (25 mm x 57 mm)

Materials: Brass

Finishes: US3, US5, US10B, US15, US15A, US19, US26, US26D

Fasteners: Two (2) #6 x 5/8" OPHWS; (2) #6 x 3/4" FPHWS

Notes: For use with 1-3/4" door



### 9605

#### 4-Wheel Hanger

Materials: Steel with brass-tone dichromate finish

Wheel: 7/8" (22 mm) diameter

Notes:

- For doors up to 125 lbs (57 kg)
- Wheels are self aligning to allow consistent contact with track
- Pre-lubricated Celcon wheels mounted on steel ball bearing shafts
- Can be used on pivot set
- Use in conjunction with 9601 or 9602 track

FOR ANY HAGER PURCHASE CONTACT INDUSTRIAL HARDWARE & SPECIALTIES INC.  
CALL 1800-684-4010



## POCKET - POCKET DOOR KIT COMPONENTS



### 9606 4-Wheel Ball Bearing Hanger with Top Mount Plate

- Materials:** Steel with brass-tone dichromate finish
- Wheels:** 7/8" (22 mm) diameter
- Notes:**
- Self aligning to allow consistent contact with track
  - Pre-lubricated Celcon wheels mounted on steel ball bearing shafts
  - Up to 150 lbs (68 kg) per door
  - Use with 9601, 9602, or 9603 track



### 3835 Small Case Deadlock

- Thumbturn:** Meet ADA Requirements, "No pinch," No grasp."
- Lock Case:** Heavy wrought steel with zinc dichromate finish - 4-5/16" x 3-9/16" x 1" (110 mm x 90 mm x 25 mm)
- Armor Front:** 1-1/4" x 5-5/8" x 7/32" (32 mm x 143 mm x 5 mm)
- Keys:** Two operating keys supplied per lock
- Cylinder:**
- Brass - keyed different - C keyway - Standard
  - Other keying options, including keyed 6-pin, available from factory
  - SFIC uncombined or combined, brass 6- or 7-pin sold separately
  - Drilled 6-pin, keyed 5-pin - Standard
  - Small Format Interchangeable Core housing available
  - Schlage "L" cam - Standard
- Door Thickness:**
- 1-3/8" - 2-1/2" (35mm-64mm) - steel door
  - 1-3/4" - 2-1/2" (45mm-64mm)- wood door
  - Must specify door thickness if greater than 1-3/4" (45mm)
- Backset:** 2-3/4" (70 mm) only
- Deadbolt:**
- 1" (25 mm) throw - stainless steel
- Strike:**
- 1 1/8" wide x 3 1/2" (29mm x 89mm) NO LIP
- Finishes:** US26D
- Functions:** 35-Cylinder x Thumbturn, 36-Single Cylinder, 37-Double Cylinder, 38-Thumbturn Only, 39-Thumbturn w/ Emergency Key



### 9632 Parts Bag

- Includes:**
- Two (2) 9605 hangers
  - Two (2) 9883 guides
  - One (1) 9881 bumper



### 9633 Parts Bag

- Includes:**
- Two (2) 9606 hangers
  - Two (2) 9883 guides
  - One (1) 9881 bumper



### 9827 Four Wheel Ball Bearing Hanger

- Materials:** Zinc plated steel
- Wheels:** Self aligning to allow consistent contact with track
- Wheel:** 1-1/4" (32 mm) diameter
- Notes:**
- For doors up to 75 lbs (34 kg)
  - Pre-lubricated Celcon wheels on steel shafts with steel ball bearings
  - Ball bearing axles
  - For use with 9801 track

### Optional Components

- |      |                              |
|------|------------------------------|
| 9610 | Replacement Top Mount Plate  |
| 9634 | Pocket Door Adaptor Kit      |
| 9639 | Dbl. Pocket Door Adapter Kit |
| 9865 | Flush Cup Pull               |
| 9881 | Bumper                       |
| 9883 | Two Piece Pocket Door Guide  |
| 9884 | Pocket Door Edge Pull        |
| 9889 | Non-Adjustable Floor Guide   |
| 9262 | Pocket Door Keyed Lock       |
| 9877 | Door Guide                   |

For optional components see pages 59-63

FOR ANY HAGER PURCHASE CONTACT INDUSTRIAL HARDWARE & SPECIALTIES INC.

