

5300 Series



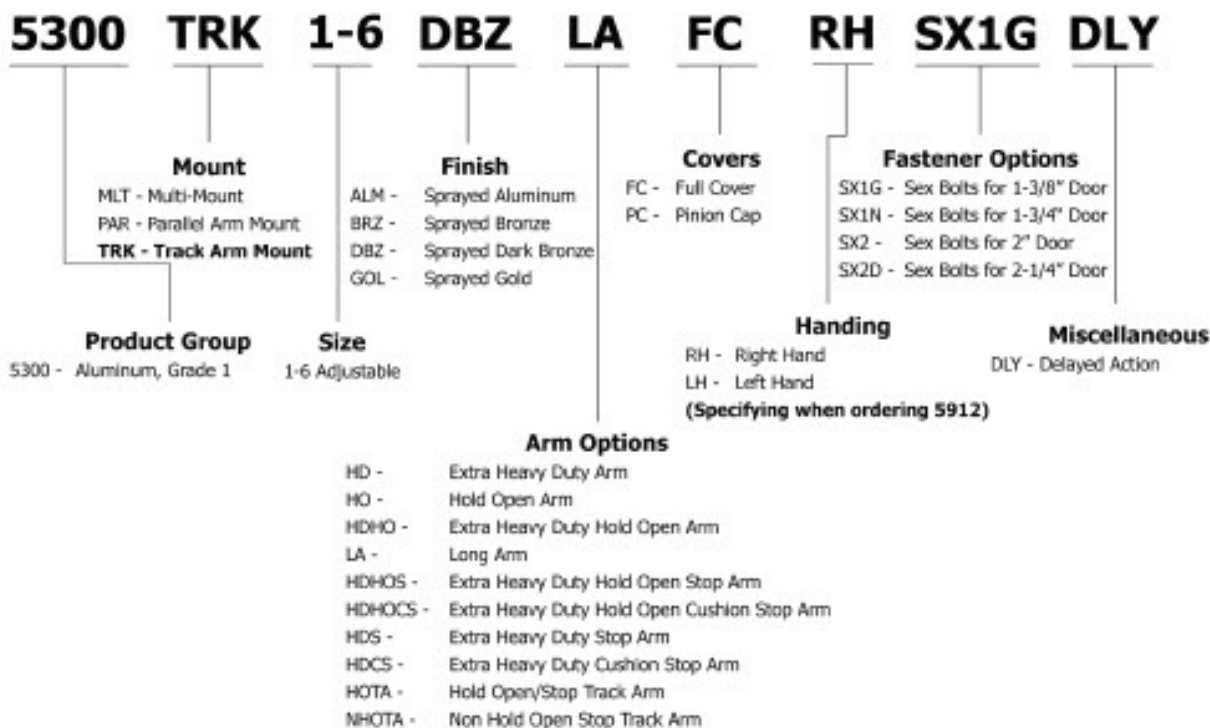
The 5300 Series Closers offer a compact design for a variety of applications. They are constructed of aluminum alloy to withstand the use and abuse you come to expect of Hager Companies Grade 1 products. The 5300 Series closers provide the flexibility needed to meet the many demands of both commercial and institutional applications, including the ADA barrier-free accessibility requirements. The sizing is adjustable from size 1 through size 6. These design features make this closer the ideal choice for doors with a maximum weight of 250 lbs.



**FOR ANY HAGER PURCHASE CONTACT INDUSTRIAL HARDWARE & SPECIALTIES INC.
CALL 1800-684-4010**



5300 SERIES - HOW TO ORDER



Example of how to order: 5300P14ALMHDHOC

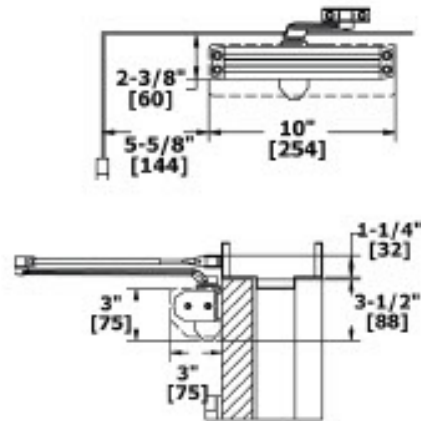
*Extended lead times for flat black finish and minimum order quantities may apply.

FOR ANY HAGER PURCHASE CONTACT INDUSTRIAL HARDWARE & SPECIALTIES INC.
CALL 1800-684-4010

5300 SERIES - APPLICATIONS

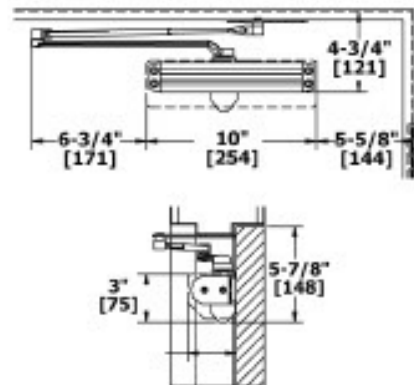
REGULAR ARM MOUNT (PULL SIDE)

Opening:	Templating allows up to 180°
Hold Open:	Hold open points 90° up to 180° with hold open arm
Frame Face:	1-3/8" (35 mm) minimum
Ceiling Clearance:	<ul style="list-style-type: none"> • 1-5/8" (41 mm) minimum • 1-5/8" (41 mm) minimum for hold open arm
Top Rail:	2-1/2" (64 mm) minimum with drop plate, 5915
Top Rail Clearance:	4-1/4" (108 mm) minimum from the top of the door



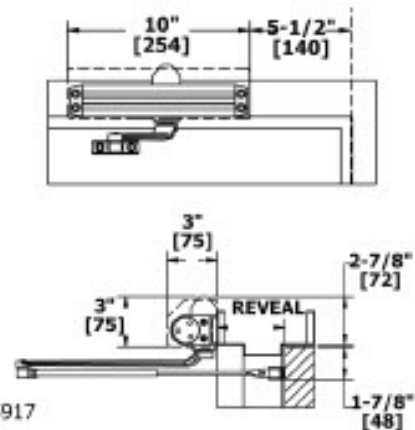
PARALLEL ARM MOUNT (PUSH SIDE)

Opening:	Templating allows up to 180°
Hold Open:	Hold open points 90° up to 180° with hold open
Top Rail:	<ul style="list-style-type: none"> • Standard hollow metal 5/8" frame stop • 4-3/4" (121 mm) minimum • 4" (102 mm) minimum with hold open • 3-1/8" (79 mm) minimum with plate • 2-1/8" (54 mm) minimum with hold open and plate
Top Rail Clearance:	5-3/4" (146 mm) minimum from the top of the door



TOP JAMB MOUNT (PUSH SIDE)

Opening:	Templating allows up to 180°
Hold Open:	Hold open points 90° up to 180° with hold open
Frame Face:	1-3/4" (45 mm) minimum
Ceiling Clearance:	<ul style="list-style-type: none"> • 2-3/4" (70 mm) minimum • 1-3/4" (44 mm) minimum with drop plate, 5918
Top Rail:	1-7/8" (48 mm) minimum
Top Rail Clearance:	<ul style="list-style-type: none"> • 2-1/8" (54 mm) minimum • 2-3/4" (70 mm) minimum with drop plate, 5917 • 2-1/4" (57 mm) minimum for hold open with drop plate, 5917 • 3-5/8" (92 mm) minimum with drop plate, 5915





5300 SERIES - GRADE 1 HEAVY DUTY SURFACE DOOR CLOSER

WARRANTY

Lifetime warranty - 250 lbs. maximum door weight

FEATURES

- Ideal for schools, hospitals, and other high-use environments
- Standard package contains 5301 closer body, 5302 closer cover, 5902 pinion cap, 5303 main arm assembly, 5304 standard screw pack, 5900 parallel arm bracket, and 5902 SNB screw pack for 1-3/4" (44 mm) door



Certification:

- BHMA Certified ANSI A156.4, adjustable sizes 1 to 6
- ADA Compliant ANSI A117.1 Accessibility Code
- UL/cUL Listed for up to 3 hours
- UL10C Positive Pressure Rated
- UL10B Neutral Pressure Rated

Covers:

Full plastic cover and pinion cap - Standard

Closer Body:

- Aluminum alloy
- The recommended temperature for prolonged use is between -40° F (-42° C) & 150° F (66° C)

Springs:

Double heat treated steel, tempered springs

Valves:

- Adjustable latching and sweep speed valves
- Adjustable backcheck valve - Standard
- Delayed action valve - Optional
- Staked valves - Standard

Handing:

Non-handed

Arms & Brackets:

- Tri-Pack: Regular, Parallel Arm, and Top Jamb Mount - Standard
- 15% power adjustment in standard arm for regular and top jamb mount

SPECIFICATIONS

Door Thickness:

- 1-3/4" (44 mm) - Standard
- 1-3/8" - 2-1/4" (36 mm - 57 mm) thick door - Optional

Fasteners:

- Self-reaming, self-tapping wood and machine screws
- Sex nuts and bolts

Notes:

- Full rack and pinion operation
- Precision machined, heat treated steel piston
- Triple heat treated steel spindle
- Special templates available upon request by contacting Hager Companies Customer Service

FINISHES

- ALM, BLK, BRZ, DBZ, GOL
- Rust inhibiting primer - Standard

FOR ANY HAGER PURCHASE CONTACT INDUSTRIAL HARDWARE & SPECIALTIES INC.
CALL 1800-684-4010

5300 SERIES - ARMS



5303

Main Arm

- Non-handed
- Forged steel
- Mounts regular, top jamb, or parallel arm mount
- Add 5900 bracket for parallel arm mount



5307

Hold Open Arm Assembly

- Non-handed
- Forged steel
- Mounts pull side or top jamb with shallow reveal
- Friction hold open
- Add 5914 bracket for parallel arm mount



5906

Extra Heavy Duty Hold Open Stop Arm

- Non-handed parallel arm
- Forged steel
- Plunger hold open function
- Auxiliary stop in soffit shoe
- For use with 5200 and 5300 Series closers
- Not for use on fire-rated doors



5907

Extra Heavy Duty Stop Arm

- Non-handed parallel arm
- For use in abusive environments
- Auxiliary stop in soffit shoe
- For use with 5200 and 5300 Series closers



Track Arm

- Non-handed
- Extruded aluminum track
- Steel arm

Functions:

Non Hold Open Stop Arms

- 2-659-0191 - ALM
- 2-659-0328 - BLK
- 2-659-0192 - BRZ
- 2-659-0193 - DBZ
- 2-659-0194 - GOL



5911

Extra Heavy Duty Arm Assembly

- Non-handed parallel arm
- Forged steel
- For use with 5200 and 5300 Series closers



5912

Extra Heavy Duty Hold Open Arm Assembly

- Handed parallel arm (specify handing when ordering)
- Forged steel
- Provides friction hold open function
- Adjustable at the shoe
- For use with 5200 and 5300 Series closers
- Not for use on fire-rated doors



5956

Extra Heavy Duty Hold Open Cushion Stop Arm

- Non-handed parallel arm
- Forged steel
- Contains 5906 arm and 5950 spring cushion arm
- Plunger hold open
- For use with 5200 and 5300 Series closers
- Not for use on fire-rated doors



5957

Extra Heavy Duty Cushion Stop Arm

- Non-handed parallel arm
- Forged steel
- Contains 5907 arm and 5950 spring cushion
- For use with 5200 and 5300 Series closers

Hold Open Stop Arms

- 2-659-0199 - ALM
- 2-659-0329 - BLK
- 2-659-0200 - BRZ
- 2-659-0201 - DBZ
- 2-659-0202 - GOL

5300 SERIES - ACCESSORIES



5301

Closer Body Only

- Aluminum alloy
- Heat treated steel spindle and piston
- Full rack and pinion operation



5302

Full Plastic Cover

- Cover projects 2-3/16" (56 mm) from door face
- High impact non-corrosive full cover - Standard
- Secured by two machine screws
- Available in plastic only



5900

Parallel Arm Bracket

- Used to convert regular or top jamb arms to parallel arm application
- For use with 5300 and 5400 Series closer arms
- Includes screw pack



5901

Pinion Cap

- High-impact, non-corrosive
- Supplied standard in 5300 and 5400 Series closers
- Fits over the pinion and extends 1" (25 mm)



5908

Long Rod and Shoe

- Use for reveals greater than 4" (102 mm) and up to 8" (203 mm)
- Non-handed
- Cast steel
- Use for top jamb application
- For use with 5300 and 5400 Series closer arms



5913

Blade Stop Spacer

- Required to lower parallel arm shoe to clear 1/2" (13 mm) blade stop of aluminum frames
- For use with 5300 and 5400 Series closer arms
- Includes screw pack



5936

Extra Clearance Parallel Arm Bracket

- Allows for up to 2" (13 mm) of clearance to mount additional hardware such as overhead door stops and holders
- Provides needed clearance not achieved with a standard soffit plate
- Includes screw pack



5950

Spring Cushion

- Non-handed
- Mounts to soffit shoe of 5125, 5961, 5906 and 5907 arms
- For use with extra heavy duty hold open and stop arms for abusive applications



5914

Hold Open Parallel Arm Bracket

- Supplied with all standard hold open arms
- For use with 5200 and 5300 Series closers only
- Includes screw pack



5915

Drop Plate - Narrow Rail Overhead Holder

- For use when an overhead door holder prevents normal top jamb mounting
- For use when a narrow rail prevents the closer from being mounted directly to the door
- For use with parallel arm and no cover
- For use when low ceiling clearance prevents normal top jamb mounting
- Includes screw pack
- Plate requires 3" (76mm) minimum top rail



5916

Drop Plate - Narrow Rail Parallel Arm

- For use when a narrow rail prevents the closer from being mounted directly to the door
- For use with parallel arm and full plastic cover
- Includes screw pack
- Plate requires 3" (76mm) minimum top rail

FOR ANY HAGER PURCHASE CONTACT INDUSTRIAL HARDWARE & SPECIALTIES INC.

CALL 1800-684-4010

5300 SERIES - ACCESSORIES

SCREW PACKS



5917 Drop Plate - Top Jamb, Low Clearance

- For use with no cover
- For use when ceiling clearance is between 1-3/4" (44 mm) and 2-5/8" (67 mm)
- For use when an overhead door holder prevents normal top jamb mounting
- Includes screw pack



5304 Screw Pack - Standard

- Self-drilling wood screws
- Self-drilling machine screws
- For 5300 Series closer only



5902 SNB Screw Pack - Standard

- Sex nuts and bolts for 1-3/4" (44 mm) doors
- Machine screws
- For use with 5200, 5300, 5400 Series closers only



5903 SNB Screw Pack - Optional

- Sex nuts and bolts for 1-3/8" (35 mm) doors
- Machine screws
- For use with 5200, 5300, 5400 Series closers only



5904 SNB Screw Pack - Optional

- Sex nuts and bolts for 2" (51 mm) doors
- Machine screws
- For use with 5200, 5300, 5400 Series closers only



5905 SNB Screw Pack - Optional

- Sex nuts and bolts for 2-1/4" (56 mm) doors
- Machine screws
- For use with 5200, 5300, 5400 Series closers only

FOR ANY HAGER PURCHASE CONTACT INDUSTRIAL HARDWARE & SPECIALTIES INC.
CALL 1800-684-4010

