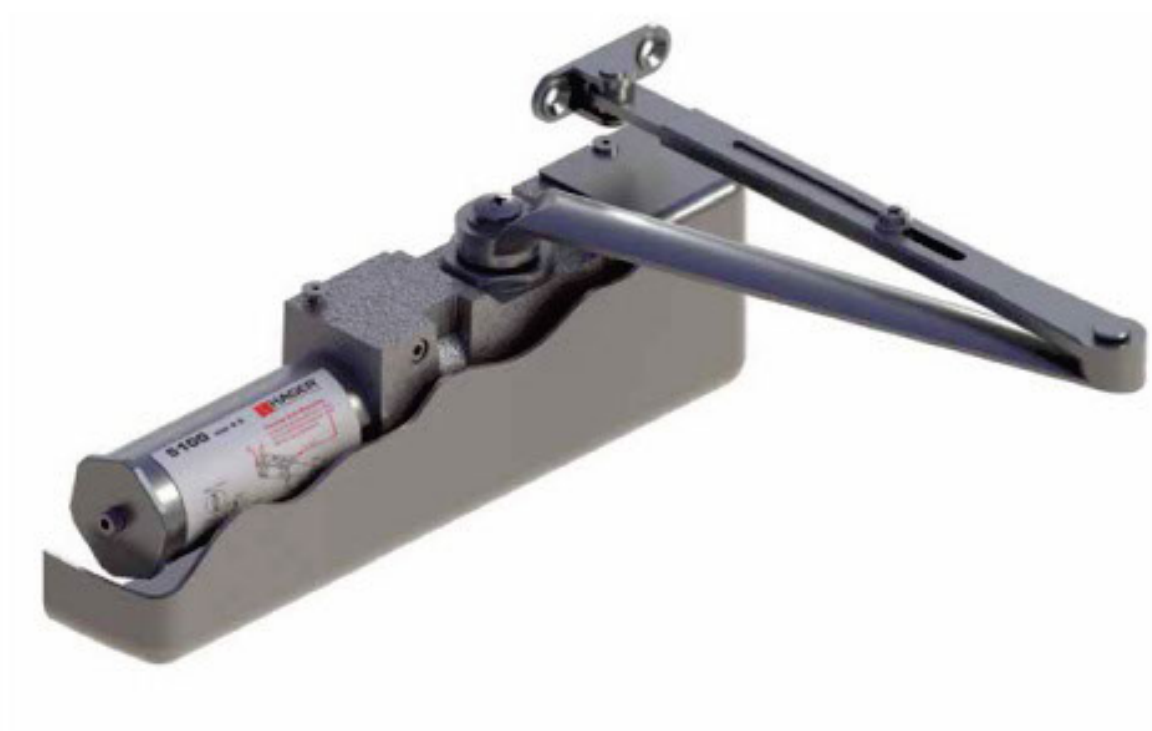


5100 Series



5100 Series Closers are heavy duty door closers constructed of cast iron to be installed on exterior and interior doors that are subject to high use and potential abuse. They are designed and engineered for reliability and superior performance. The commercial applications ideal for these closers include schools, medical facilities, institutions and hospitals as well as office buildings and any entrance door with high foot traffic.

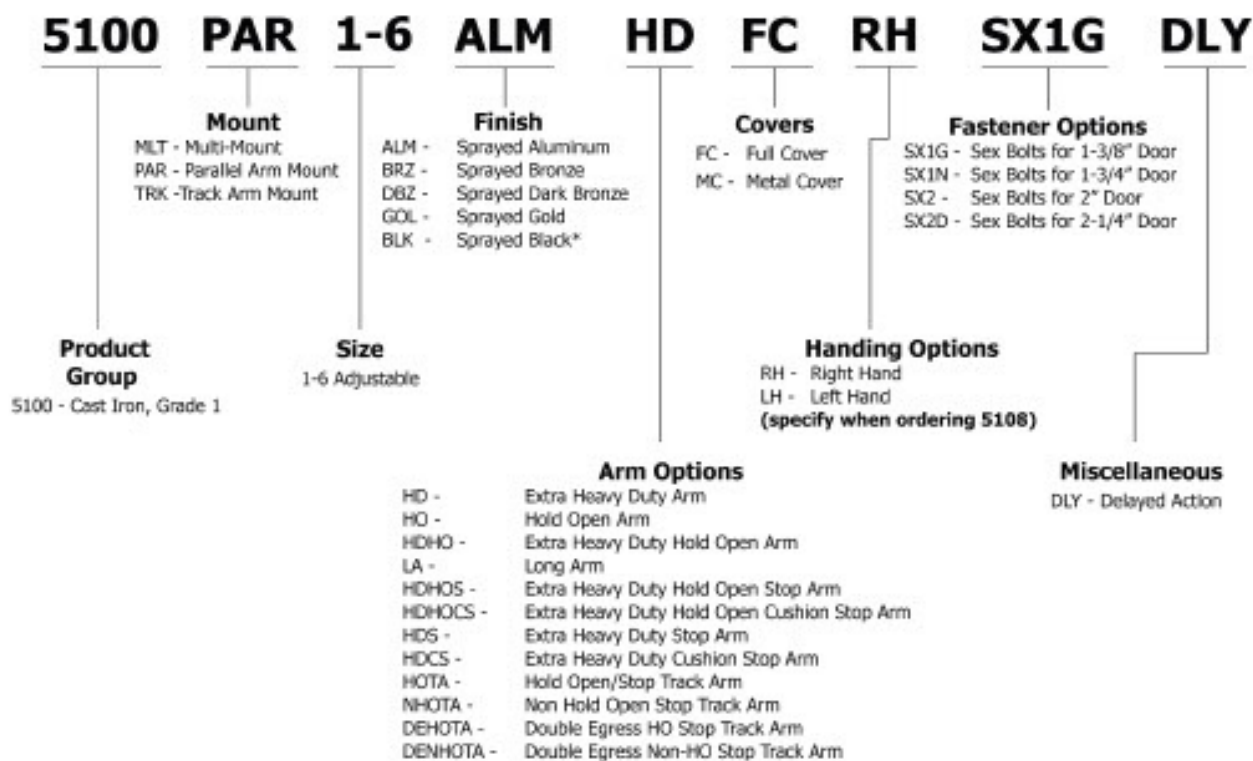
5100 Series Closers have a full rack and pinion operation, with a heat treated steel piston and triple heat treated steel spindle. The closers are non-handed to permit installation on doors of either hand. The sizing is adjustable from size 1 through size 6. These design features make this closer the ideal choice for doors with a maximum weight of 330 lbs.



**FOR ANY HAGER PURCHASE CONTACT INDUSTRIAL HARDWARE & SPECIALTIES INC.
CALL 1800-684-4010**



5100 SERIES - HOW TO ORDER



Example of how to order: 5100P14ALMHDHOCS

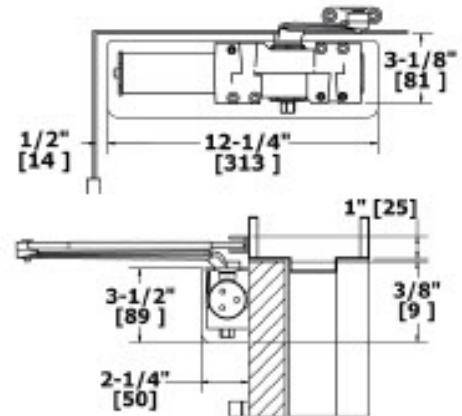
*Extended lead times for flat black finish and minimum order quantities may apply.

FOR ANY HAGER PURCHASE CONTACT INDUSTRIAL HARDWARE & SPECIALTIES INC.
CALL 1800-684-4010

5100 SERIES - APPLICATIONS

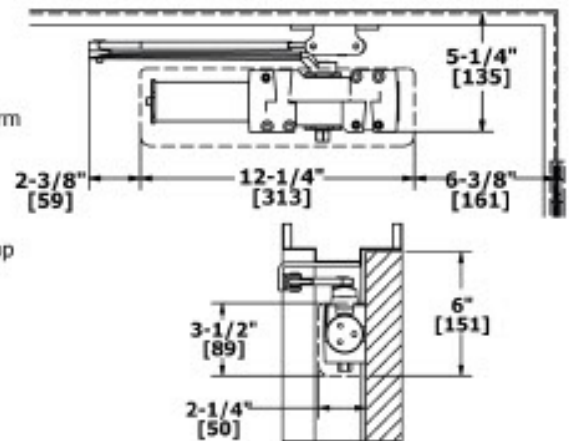
REGULAR ARM MOUNT (PULL SIDE)

Opening:	Templating allows up to 120°
Hold Open:	Hold open points from 90° up to 120° with hold open arm
Frame Face:	1-1/4" (32 mm) minimum
Ceiling Clearance:	1-1/4" (32 mm) minimum
Top Rail:	<ul style="list-style-type: none"> • Less than 3-3/4" (95 mm) requires drop plate, 5109 • Drop plate requires 2" (51 mm) minimum
Top Rail Clearance:	4" (102 mm) from the top of door



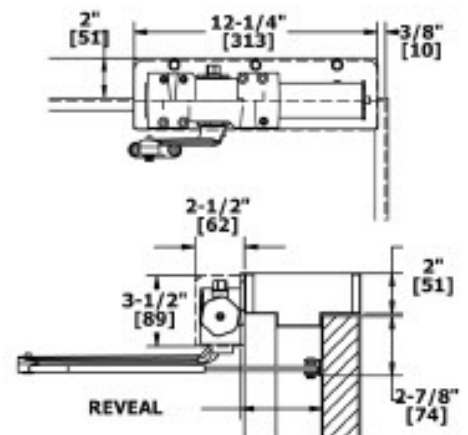
PARALLEL ARM MOUNT (PUSH SIDE)

Opening:	Templating allows up to 180°
Hold Open:	Hold open points from 90° up to 180° with hold open arm
Top Rail:	<ul style="list-style-type: none"> • Standard hollow metal 5/8" frame stop • Less than 5-1/2" (140 mm) from the stop requires drop plate, 5110 • Drop plate requires 2" (51 mm) minimum from the stop
Top Rail Clearance:	6-1/4" (159 mm) from the top of door



TOP JAMB MOUNT (PUSH SIDE)

Opening:	Templating allows up to 120°
Hold Open:	Hold open points 85° up to 120° with hold open arm
Frame Face:	Less than 3-1/2" (89 mm) requires drop plate, 5115
Ceiling Clearance:	Drop plate requires 4" (102 mm) minimum
Top Rail:	Requires 1-3/8" (35 mm) minimum
Top Rail Clearance:	1-1/2" (38 mm) from the top of the door



FOR ANY HAGER PURCHASE CONTACT INDUSTRIAL HARDWARE & SPECIALTIES INC.
CALL 1800-684-4010





5100 SERIES - GRADE 1 HEAVY DUTY SURFACE DOOR CLOSER

WARRANTY | Lifetime warranty - 330 lbs. maximum door weight

FEATURES

- Ideal for schools, hospitals, and other high-use environments
- Standard package contains 5101 closer body, 5102 closer cover, 5103 main arm assembly, 5104 standard screw pack, 5909 parallel arm bracket, and 5940 SNB screw pack for 1-3/4" (44 mm) doors

Certification:

- BHMA Certified ANSI A156.4, adjustable sizes 1 to 6
- ADA Compliant ANSI A117.1 Accessibility Code
- UL/cUL listed for up to 3 hours
- UL10C Positive Pressure Rated
- UL10B Neutral Pressure Rated

Covers:

- Full plastic cover - Standard
- Plated metal cover - Optional

Closer Body:

- Cast iron
- The recommended temperature for prolonged use is between -40° F (-42° C) & 150° F (66° C)

Springs:

- One piece seamless steel spring tube
- Double heat treated steel, tempered springs

Valves:

- Adjustable latching and sweep speed valves
- Adjustable backcheck valve - Standard
- Delayed action valve - Optional
- Staked valves - Standard

Handing: Non-handed

Arms & Brackets: Tri-Pack: Regular, Parallel Arm, Top Jamb Mount - Standard



SPECIFICATIONS

Door Thickness:

- 1-3/4" (44 mm) - Standard
- 1-3/8" - 2-1/4" (36 mm - 57 mm) thick door - Optional

Fasteners:

- Self-reaming, self-tapping wood and machine screws
- Sex nuts and bolts

Notes:

- Full rack and pinion operation
- Precision machined, heat treated steel piston
- Triple heat treated steel spindle
- Special templates available upon request by contacting Hager Companies Customer Service

FINISHES

- ALM, BLK, BRZ, DBZ, GOL
- Rust inhibiting primer - Standard

FOR ANY HAGER PURCHASE CONTACT INDUSTRIAL HARDWARE & SPECIALTIES INC.
CALL 1800-684-4010

5100 SERIES - ARMS



5103

Main Arm

- Non-handed
- Forged steel
- Mounts regular, parallel arm, or top jamb mount
- Add 5909 bracket for parallel arm mount



5106

Extra Heavy Duty Arm

- Non-handed parallel arm
- Forged steel



5107

Hold Open Arm

- Non-handed
- Forged steel
- Mounts pull side or top jamb with shallow reveal
- Friction hold open function
- Add 5909 bracket for parallel arm mount



5108

Extra Heavy Duty Hold Open

- Handed parallel arm (specify handing when ordering)
- Forged steel
- Provides friction hold open function
- Adjustable at the shoe
- Not for use on fire rated doors



Track Arm

- Non-handed
- Extruded aluminum track
- Steel arm

Functions:

Non Hold Open Stop Arms

- 2-659-0187 - ALM
- 2-659-0324 - BLK
- 2-659-0188 - BRZ
- 2-659-0189 - DBZ
- 2-659-0190 - GOL

Hold Open Stop Arms

- 2-659-0195 - ALM
- 2-659-0325 - BLK
- 2-659-0196 - BRZ
- 2-659-0197 - DBZ
- 2-659-0198 - GOL



5125

Extra Heavy Duty Stop Arm

- Non-handed parallel arm
- Forged steel
- Auxiliary stop in soffit shoe



5954

Extra Heavy Duty Hold Open Cushion Stop Arm

- Non-handed parallel arm
- Forged steel
- Screw-type hold open function
- Contains 5961 arm and 5950 spring cushion
- Not for use on fire-rated doors



5955

Extra Heavy Duty Cushion Stop Arm

- Non-handed parallel arm
- Forged steel
- Contains 5125 arm and 5950 spring cushion



5961

Extra Heavy Duty Hold Open Stop Arm

- Non-handed parallel arm
- Forged steel
- Auxiliary stop in soffit shoe
- Screw-type hold open function
- Not for use on fire-rated doors

Double Egress Non Hold Open Stop Arms

- 2-659-0203 - ALM
- 2-659-0326 - BLK
- 2-659-0204 - BRZ
- 2-659-0205 - DBZ
- 2-659-0206 - GOL

Double Egress Hold Open Stop Arms

- 2-659-0207 - ALM
- 2-659-0327 - BLK
- 2-659-0208 - BRZ
- 2-659-0209 - DBZ
- 2-659-0210 - GOL

FOR ANY HAGER PURCHASE CONTACT INDUSTRIAL HARDWARE & SPECIALTIES INC.



5100 SERIES - ACCESSORIES



5101

Closer Body Only

- Cast iron
- Heat treated steel spindle and piston
- Full rack and pinion operation



5102

Plastic Cover

- Cover projects 2-1/4" (57 mm) from door face
- High impact non-corrosive full cover
- Secured by two machine screws



5109

Drop Plate - Regular Arm Mount

- Required for pull side mount when top rail is less than 3-3/4" (95 mm)
- Plate requires 2" (51 mm) minimum top rail
- Includes screw pack



5110

Drop Plate - Parallel Arm Mount

- Required for parallel arm mount when top rail is less than 5-1/2" (140 mm), measured from the stop to the reveal
- Plate requires 2-1/2" (64 mm) minimum top rail
- Includes screw pack



5111

Extra Heavy Duty Parallel Arm Support Bracket

- For use with stop arms when reveal is less than 3-1/16" (78 mm)
- Provides anchor for fifth screw



5112

Long Rod and Shoe

- Non-handed
- Use for door reveals greater than 3" (76 mm) and up to 5" (127 mm)
- Cast steel
- Use for top jamb application



5113

Blade Stop Spacer

- Required to lower parallel arm shoe to clear 1/2" (13 mm) blade stop of aluminum frames
- Includes screw pack



5114

Drop Plate - Low Clearance

- For use when ceiling clearance prevents normal top jamb mounting
- For use when overhead door holder prevents normal top jamb mounting
- Includes screw pack



5115

Drop Plate - Top Jamb Mount

- Plate requires 1-3/4" (44 mm) minimum frame face
- Required for top jamb when frame face is less than 3-1/2" (89 mm)
- For use with plastic cover
- Includes screw pack



5909

Parallel Arm Bracket

- Can be used to convert regular or top jamb arm to parallel arm application
- Includes screw pack



5935

Extra Clearance Parallel Arm Bracket

- Allows for up to 2" (51 mm) of clearance to mount additional hardware such as overhead door stops and holders
- Provides needed clearance not achieved with standard soffit plate
- Includes screw pack



5950

Spring Cushion

- Non-handed
- Mounts to soffit shoe of 5125, 5961, 5906, and 5907 arms
- For use with extra heavy duty hold open and stop arms for abusive applications



5962

Metal Cover

- Cover projects 2-1/4" (56 mm) from door face
- Cast zinc
- Secured by two machine screws

5100 SERIES - SCREW PACKS FOR 5100 SERIES ONLY**5104****Screw Pack - Standard**

- Self-drilling wood screws
- Self-drilling machine screws

**5940****SNB Screw Pack - Standard**

- Sex nuts and bolts for 1-3/4" (44 mm) doors
- Machine screws

**5941****SNB Screw Pack - Optional**

- Sex nuts and bolts for 1-3/8" (35 mm) doors
- Machine screws

**5942****SNB Screw Pack - Optional**

- Sex nuts and bolts for 2" (51 mm) doors
- Machine screws

**5943****SNB Screw Pack - Optional**

- Sex nuts and bolts for 2-1/4" (56 mm) doors
- Machine screws

**5946****Tork Security Screw Pack - Optional**

- Tamper resistant torx screws with pins
- Sex nuts and bolts for 1-3/4" (44 mm) doors

FOR ANY HAGER PURCHASE CONTACT INDUSTRIAL HARDWARE & SPECIALTIES INC.

CALL 1800-684-4010

