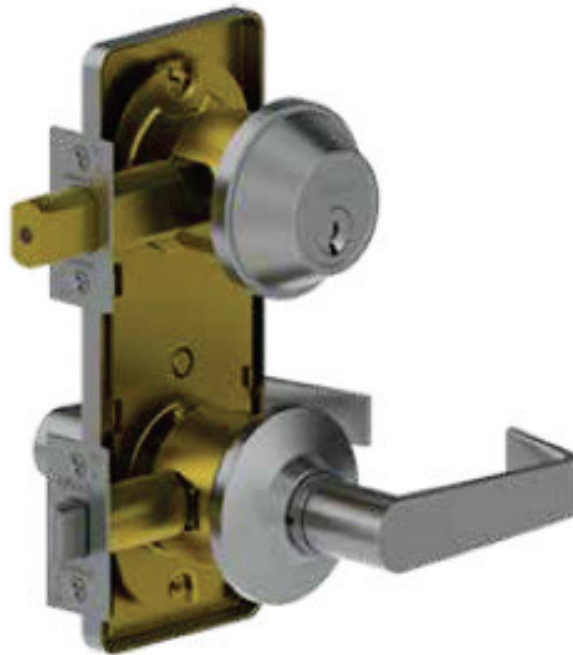


3700 Series



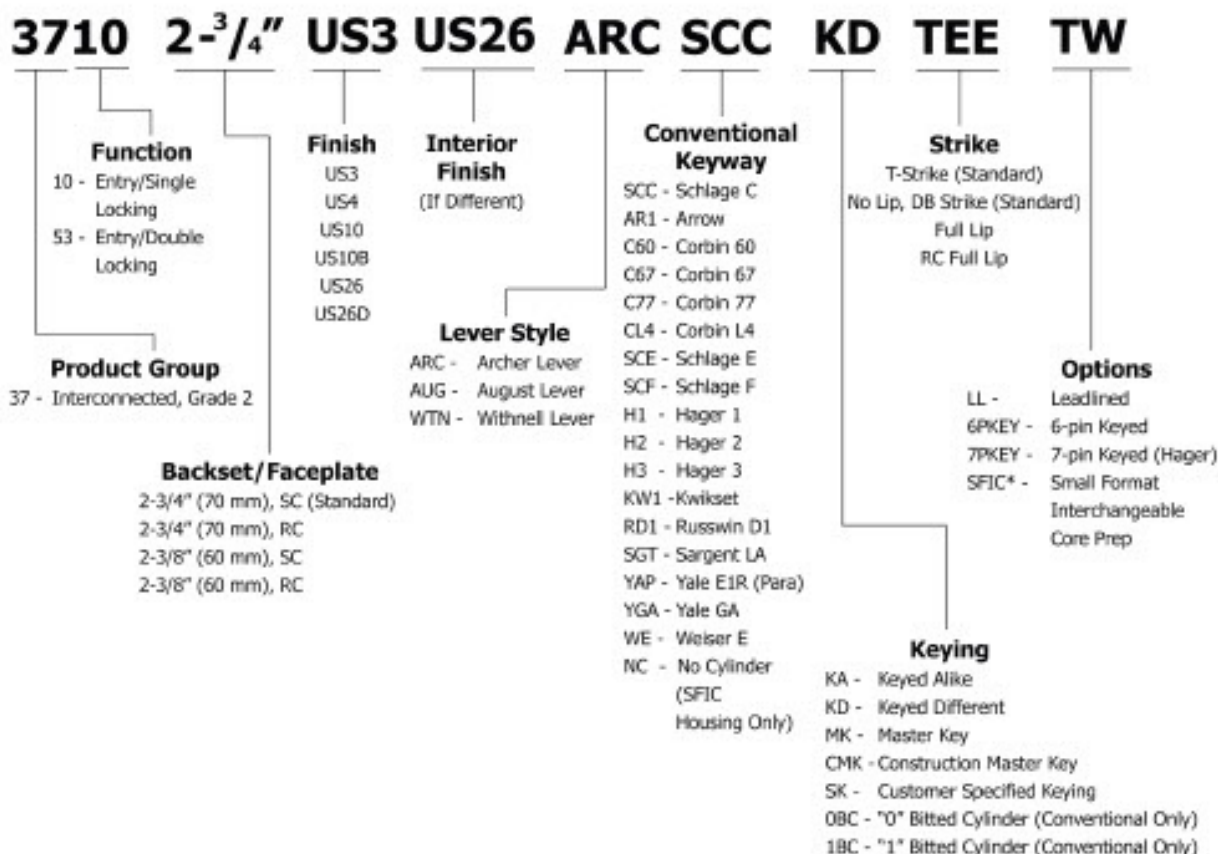
Hager 3700 Series Grade 2 interconnected lock is a perfect match for residential or commercial applications such as apartment buildings and assisted living facilities. These versatile locks provide a single action for retracting the latchbolt and deadbolt simultaneously for panic-free egress. They are supplied with an optional exterior escutcheon plate standard and are backed by a lifetime warranty.



**FOR ANY HAGER PURCHASE CONTACT INDUSTRIAL HARDWARE & SPECIALTIES INC.
CALL 1800-684-4010**



3700 SERIES - HOW TO ORDER





Notes:

1. If masterkeyed, include completed master key form with order (available on page 88 or www.hagerco.com).
2. For additional keying information, please refer to Cylinder, Core & Keying section of catalog (page 73).

* Small format interchangeable core sold separately. Available in Best Keyways (A Standard) or Hager Keyways (optional).

Ordering example: 3753 2-3/4" US26D WTN NC TEE SFIC

3700 SERIES FUNCTION CHART

Function	Function No.	Function Description	ANSI No.	
Interconnected				
	Interconnected Single Locking Entry	10	Deadbolt thrown or retracted by key outside or by inside thumbturn. Bolt automatically deadlocks when fully thrown. Latchbolt retracted by lever from either side. Inside lever retracts deadbolt and latchbolt simultaneously for immediate exit.	F95
	Interconnected Double Locking Entry	53	Deadbolt thrown or retracted by key outside or by inside thumbturn. Bolt automatically deadlocks when fully thrown. Deadlatch retracted by key outside when locked by pushing turnbutton on inside lever. Outside lever may be fixed in locked position by rotating turnbutton. Inside lever retracts deadbolt and deadlatch simultaneously for immediate exit.	F97

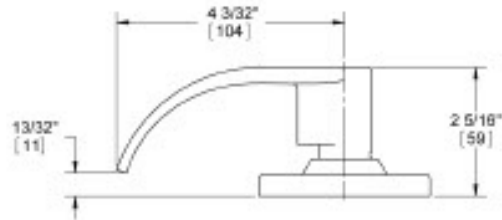
FOR ANY HAGER PURCHASE CONTACT INDUSTRIAL HARDWARE & SPECIALTIES INC.

CALL 1800-684-4010

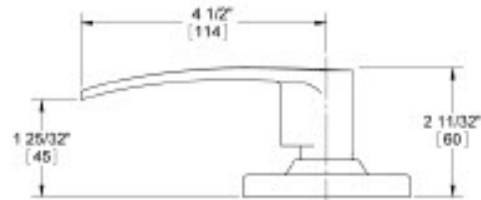


3700 SERIES - LEVER OPTIONS

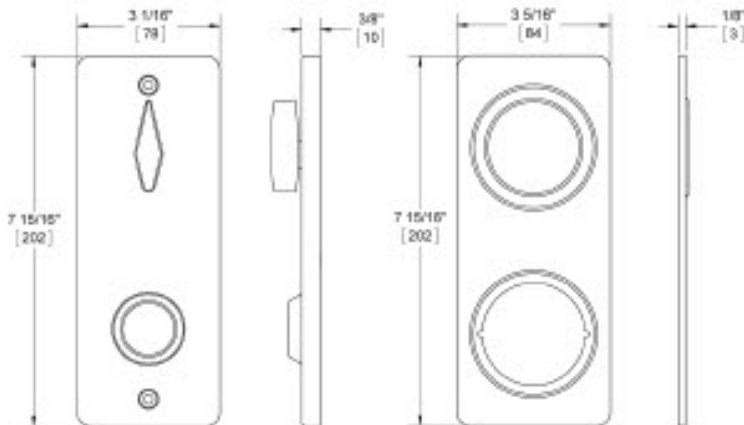
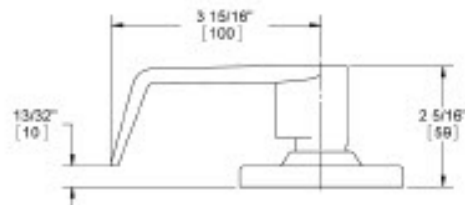
ARCHER LEVER



AUGUST LEVER



WITHNELL LEVER



INSIDE ESCUTCHEON

OPTIONAL OUTSIDE ESCUTCHEON

FOR ANY HAGER PURCHASE CONTACT INDUSTRIAL HARDWARE & SPECIALTIES INC.



3700 SERIES - GRADE 2 INTERCONNECTED - MEDIUM DUTY COMMERCIAL



WARRANTY

Lifetime warranty

FEATURES

- Cylindrical chassis
- Non-handed
- Conventional cylinder or Small Format Interchangeable Core option available

Certifications:

- BHMA Certified ANSI A156.12 Grade 2
- ADA Compliant ANSI A117.1 Accessibility Code
- UL/cUL Listed for all functions up to 3 hours for "A" label single doors
- UL10C Positive Pressure Rated
- UL10B Neutral Pressure Rated

Lever Options:

Archer, August, Withnell levers

Options:

- Split finish
- Split lever design

SPECIFICATIONS

Standard Door

- 4" (102 mm) center of deadbolt to center of lock chassis
- 2-1/8" (54 mm) diameter (bore)

Prep:

- Latch hole: 1" (25 mm) diameter (cross bore)

Exposed Trim:

Wrought brass or bronze, cast zinc lever

Rose Diameter:

2-1/2" (63 mm)

FINISHES

US3, US4, US10, US10B, US26, US26D

Lock Chassis:

- Heavy gauge steel, zinc dichromated
- Thru-bolt mounting
- "Non-clutching" exterior lever

Outside

Escutcheon:

3-5/16" x 7-15/16" x 3/8" (84 mm x 202 mm x 10 mm)

Inside

Escutcheon:

3-1/16" x 7-15/16" x 1/8" (78 mm x 202 mm x 3 mm)

Keys:

Two operating keys supplied per lock

Cylinders/Cores:

- Brass - keyed different - Schlage C Keyway - Standard
- Cylinder drilled 6-pin, keyed 5-pin - Standard
- Other keying options, including keyed 6-pin, available from the factory (see cylinder, cores and keying section)
- Zero bit cylinders will be 6 pin keyed - standard
- Small Format Interchangeable Core option available
- SFIC uncombined or combined, brass 6- or 7-pin cores sold separately

Door Thickness:

- 1-3/8" - 1-3/4" (35 mm - 45 mm) - Standard
- 2" (52 mm) doors - Optional

Backsets:

- 2-3/4" (70 mm) - Standard
- 2-3/8" (60 mm) - Optional

Latchbolt:

- 1/2" (13 mm) Throw - stainless steel
- 1-1/8" x 2-1/4" (29 mm x 57 mm) faceplate for 2-3/4" (70 mm) backset
- 1" x 2-1/4" (25 mm x 57 mm) faceplate for 2-3/8" (60 mm) backset
- Deadlocking latchbolt prevents manipulation when door is closed; keyed functions only
- Square corner faceplate standard, round corner available

Deadbolt:

- 1" (25 mm) Throw - brass with concealed steel roller to prevent sawing or cutting
- 1-1/8" x 2-1/4" (29 mm x 57 mm) faceplate for 2-3/4" (70 mm) bracket
- 1" x 2-1/4" (25 mm x 57 mm) faceplate for 2-3/8" (60 mm) faceplate

Strikes:

- 3933 square corner t-strike with plastic dust box, 1-1/8" x 2-3/4" (29 mm x 70 mm) - Standard
- 3930 square corner strike plate with dust box, 1-1/8" x 2-3/4" (29 mm x 70 mm) - Standard

Functions:

- 10 Single Locking Entry
- 53 Double Locking Entry

FOR ANY HAGER PURCHASE CONTACT INDUSTRIAL HARDWARE & SPECIALTIES INC.

3700 SERIES - LATCHBOLTS

3700 SERIES STRIKES

Spring Latches



- 3947**
2-3/4" (70 mm) Backset
Passage Spring Latch
- Square and round corner available
 - 1-1/8" x 2-1/4" (29 mm x 57 mm) faceplate



- 3949**
2-3/8" (60 mm) Backset
Passage Spring Latch
- Square and round corner available
 - 1" x 2-1/4" (25 mm x 57 mm) faceplate

Dead Latches



- 3948**
2-3/4" (70 mm) Backset
Dead Latch - Standard
- Square and round corner available
 - 1-1/8" x 2-1/4" (29 mm x 57 mm) faceplate



- 3950**
2-3/8" (60 mm) Backset
Dead Latch
- Square and round corner available
 - 1" x 2-1/4" (25 mm x 57 mm) faceplate

3700 SERIES DEADBOLTS



- 3920**
2-3/4" (70 mm) Backset
Tapered Deadbolt - Standard
- Square and round corner available
 - 1-1/8" x 2-1/4" (29 mm x 57 mm) faceplate



- 3921**
2-3/8" (60 mm) Backset
Tapered Deadbolt
- Square and round corner available
 - 1" x 2-1/4" (25 mm x 57 mm) faceplate



- 3930**
Strike Plate
 1-1/8" x 2-3/4" (29 mm x 70 mm)



- 3933**
T-Strike with Plastic Dust Box
 1-1/8" x 2-3/4" (29 mm x 70 mm)



- 3934**
Full Lip Strike
 1-5/8" x 2-1/4" (41 mm x 57 mm)



- 3958**
Round Corner Full Lip Strike
- 1-5/8" x 2-1/4" (41 mm x 57 mm)
 - 1/4" (6 mm) radius



- 3959**
Faceplate Adapter
 Converts 1" (25 mm) to 1-1/8" (28 mm) width