

# 3100 Series



Hager 3100 Series Grade 1 deadlock is designed and engineered to withstand the most abusive environments. It is the perfect complement to Hager 3400 Series lockset for extra protection against break-in and is backed by a lifetime warranty.



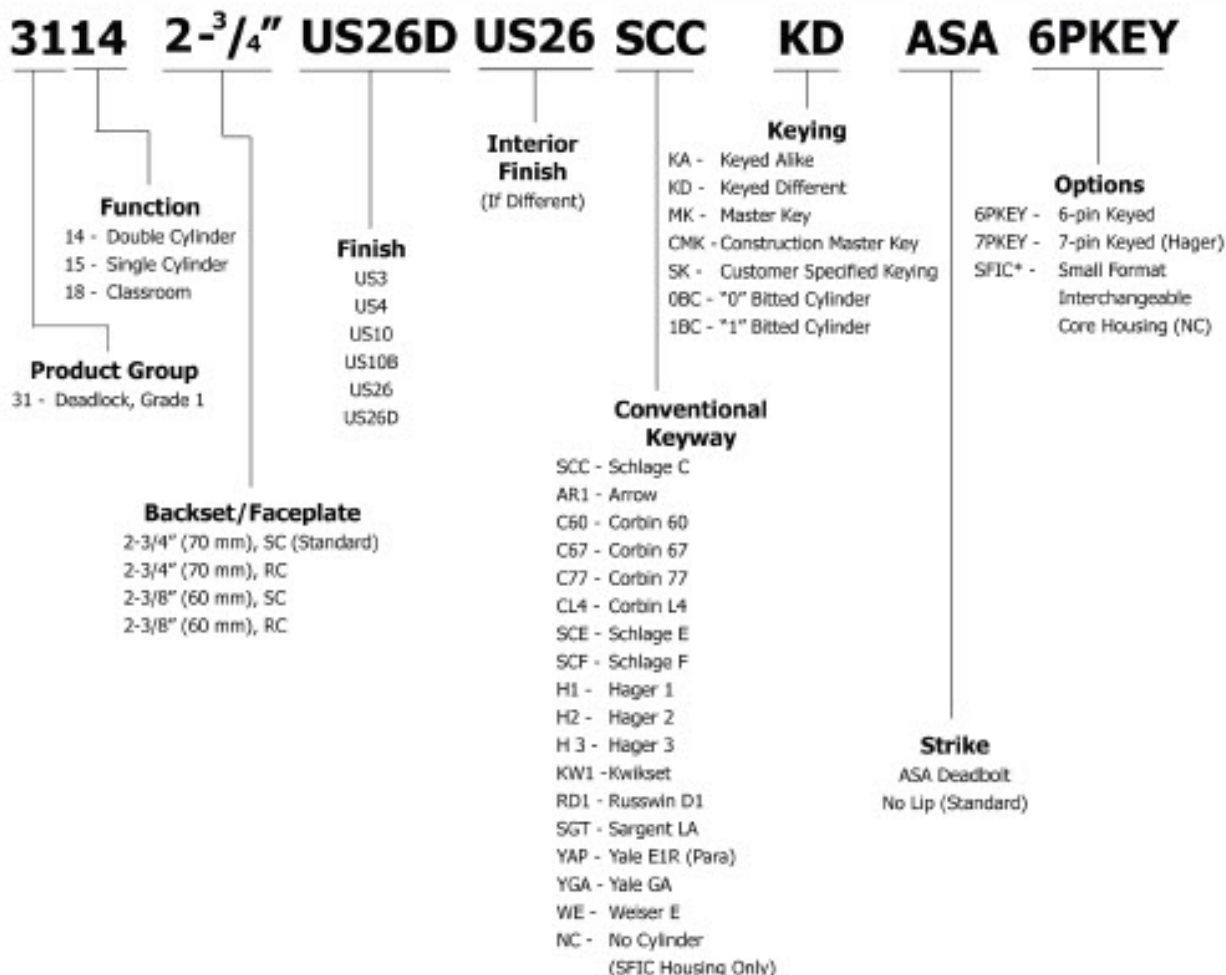
**FOR ANY HAGER PURCHASE CONTACT INDUSTRIAL HARDWARE & SPECIALTIES INC.  
CALL 1800-684-4010**



2016  
[www.hagerco.com](http://www.hagerco.com)



## 3100 SERIES - HOW TO ORDER






**Notes:**

1. If masterkeyed, include completed master key form with order (available on page 88 or [www.hagerco.com](http://www.hagerco.com)).
2. For additional keying information, please refer to cylinder, core, and keying section of catalog (page 73).

\* Small format interchangeable core sold separately. Available in Best Keyways (A Standard), or Hager Keyways (optional).  
**Ordering example: 3114 2-3/4" US26D NC SFIC**

### 3100 SERIES FUNCTION CHART

Function	Function No.	Function Description	ANSI No.
 Double Cylinder	14	Deadbolt thrown or retracted by key from either side. Bolt automatically deadlocks when fully thrown.	E2141
 Cylinder x Thumbturn	15	Deadbolt thrown or retracted by key from outside or by inside thumbturn. Bolt automatically deadlocks when fully thrown.	E2151
 Classroom	18	Deadbolt thrown or retracted by key outside. Inside thumbturn will retract bolt only. Bolt automatically deadlocks when fully thrown.	E2171

**FOR ANY HAGER PURCHASE CONTACT INDUSTRIAL HARDWARE & SPECIALTIES INC.  
 CALL 1800-684-4010**

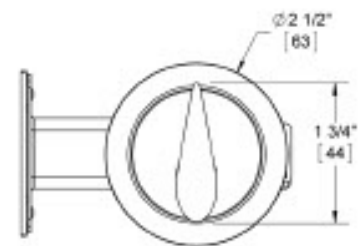
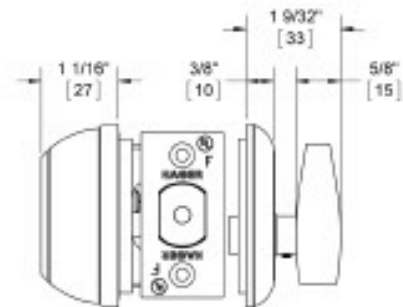
## 3100 SERIES - GRADE 1 DEADLOCK - AUXILIARY

<b>WARRANTY</b>	Lifetime warranty
<b>FEATURES</b>	<ul style="list-style-type: none"> <li>• Non-handed</li> <li>• Conventional cylinder or Small Format Interchangeable Core option available</li> </ul>
Certifications:	<ul style="list-style-type: none"> <li>• BHMA Certified ANSI A156.5 Grade 1</li> <li>• ANSI A250.13 Severe Windstorm Resistant Component</li> <li>• UL/cUL Listed for all functions up to 3 hours for "A" label single doors</li> <li>• UL10C Positive Pressure Rated</li> <li>• UL10B Neutral Pressure Rated</li> <li>• ADA - Thumbturn</li> </ul>
Options:	<ul style="list-style-type: none"> <li>• Split finish</li> <li>• Additional deadbolts and strikes available</li> </ul>



### SPECIFICATIONS

Standard Door Prep:	<ul style="list-style-type: none"> <li>• Cylinder hole: 2-1/8" (54 mm) diameter (bore)</li> <li>• Latch hole: 1" (25 mm) diameter (coss bore)</li> </ul>
Exposed Trim:	Wrought brass or bronze
Mechanism:	Steel, zinc dichromate plating
Keys:	Two operating keys supplied per lock
Cylinders/Cores:	<ul style="list-style-type: none"> <li>• Brass - Keyed Different - Schlage C Keyway standard</li> <li>• Cylinder drilled 6-pin, Keyed 5-pin - Standard</li> <li>• Other keying options, including keyed 6-pin, available from the factory (see Cylinder, Core and Keying section)</li> <li>• Zero bit cylinders will be 6 pin keyed - standard</li> <li>• Small Format Interchangeable Core option available</li> <li>• SFIC uncombined or combined, brass 6- or 7-pin cores sold separately</li> </ul>
Door Thickness:	<ul style="list-style-type: none"> <li>• 1-3/4" - 2" (45 mm - 51 mm) - Standard</li> <li>• 2" - 2-1/4" (57 mm) available for conventional cylinder - Must specify</li> </ul>
Backset:	<ul style="list-style-type: none"> <li>• 2-3/4" (70 mm) - Standard</li> <li>• 2-3/8" (60 mm) - Optional</li> </ul>
Latchbolt:	<ul style="list-style-type: none"> <li>• 1" (25 mm) Throw - Brass with concealed hardened steel roller to prevent sawing or cutting</li> <li>• 1-1/8" x 2-1/4" (29 mm x 57 mm) Square Corner Faceplate</li> </ul>
Strikes:	<ul style="list-style-type: none"> <li>• 3930 Square Corner, 1-1/8" x 2-3/4" (29 mm x 70 mm) with dustbox - Standard</li> <li>• 3929 ASA Deadbolt Strike - Optional</li> </ul>
Functions:	14 Double Cylinder, 15 Cylinder x Thumbturn, 18 Classroom
<b>FINISHES</b>	US3, US4, US10, US10B, US26, US26D



FOR ANY HAGER PURCHASE CONTACT INDUSTRIAL HARDWARE & SPECIALTIES INC.

CALL 1800-684-4010



## 3100 SERIES LATCHBOLTS



**3940**  
**2-3/4" (70 mm) Backset Latchbolt - Standard**

- Square and round corner available
- 1-1/8" x 2-1/4" (29 mm x 57 mm) faceplate
- Round corner not available in US32/32D

**3941**  
**2-3/8" (60 mm) Backset Latchbolt - Optional**

- Square and round corner available
- 1" x 2-1/4" (25 mm x 57 mm) faceplate
- Round corner not available in US32/32D

## 3100 SERIES STRIKES



**3929**  
**ASA Deadbolt Strike - Optional**  
1-1/4" x 4-7/8" (32 mm x 124 mm)



**3930**  
**Strike Plate - Standard**  
• 1-1/8" x 2-3/4" (29 mm x 70 mm)  
• Dust box included

FOR ANY HAGER PURCHASE CONTACT INDUSTRIAL HARDWARE & SPECIALTIES INC.  
CALL 1800-684-4010

