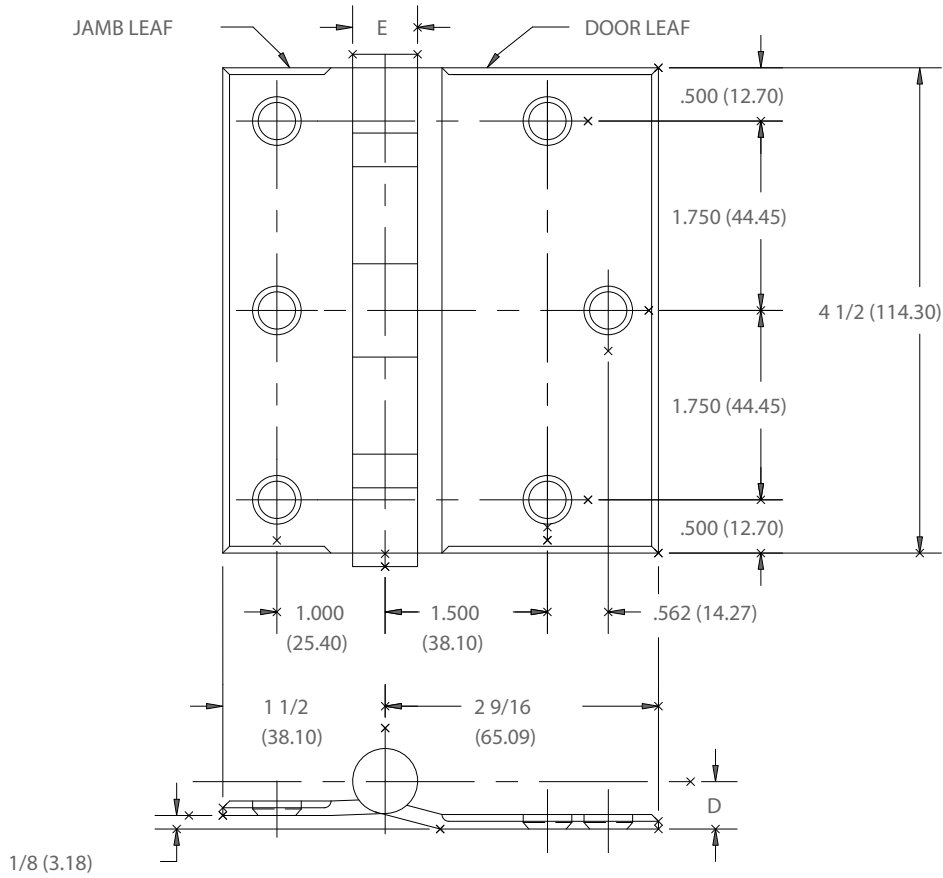


FULL SURFACE
TEMPLATE HINGES

Template No. T 341
Rev. '96

SIZE: 4 1/2 (114.30)



-DO NOT SCALE-

CATALOG NUMBER		METAL GAUGE	(D) DOOR LEAF OFFSET	(E) KNUCKLE DIAMETER
STEEL HINGES	NON-FERROUS HINGES			
AB702	AB802	.134 (3.40)	1/2 (12.70)	39/64 (15.48)
BB2171	BB2110	.134 (3.40)	1/2 (12.70)	39/64 (15.48)
AB752	AB852	.180 (4.57)	9/16 (14.29)	45/64 (17.86)
BB2169	BB2109	.180 (4.57)	9/16 (14.29)	45/64 (17.86)

ALL NON-BRACKETED DIMENSIONS ARE IN INCHES, ALL BRACKETED DIMENSIONS ARE IN MILLIMETERS.

Machine Screw Size: Door Leaf- 1/4-20 x 2" O.H. WITH GROMMET NUTS
Jamb Leaf- 12-24 x 1/2" O.H.



Hospital type template hinges conform to the above screw size and location. They are designated by "HT" to catalog number.

Hager template hinges are made in gauge and with screw holes located to conform to ANSI-A156.7.

HAGER RESERVES THE RIGHT TO MAKE DESIGN CHANGES WITHOUT NOTICE. CALL HAGER ENGINEERING AT 1-800-325-9995 FOR LATEST REVISION DATE OF TEMPLATE.

HAGER COMPANIES
139 VICTOR STREET
P.O. BOX 12300
ST. LOUIS, MISSOURI 63157-0300

Template No. T 341