

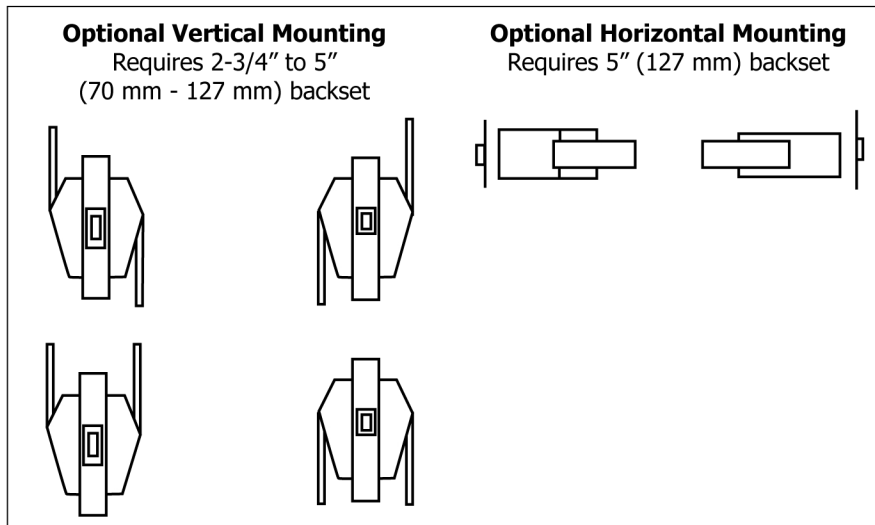


## LATCHES & PROTECTION PLATES



### 311H | 311L Push/Pull Latch

- Certification:** ANSI A156.2 Closest Equivalent  
(Bored Latch - Series 4000 - Grade 2)
- Push & Pull Levers:** 1-15/16" x 4-1/2" (49 mm x 114 mm)
- Escutcheons:** 3-1/16" x 5" (78 mm x 127 mm)
- Projection:** 2-5/8" (67 mm)
- Bolt Throw:** 1/2" (13 mm)
- Bolt Diameter:** 3/4" (19 mm)
- Backset:**
- 2-3/4" (70 mm) - Standard
  - 5" (127 mm) - Optional
- Strike (TEE) - standard:** 1-1/8" x 2-3/4" (29 mm x 70 mm)
- Strike (ASA) - standard:** 1-1/4" x 4-7/8" (32 mm x 124 mm)
- Door thickness:** 1-3/4" (45 mm)
- Materials:** Zinc and stainless steel
- Finishes:** US26, US26D, US32, US32D
- Notes:**
- Non-handed
  - Engraving is optional
  - 311L is same as 311H but for use on lead lined doors



### 318D Roller Latch with Tee Strike

- Certification:** Meets ANSI A156.16 for E09091
- Roller Faceplate:** 1" x 3-3/8" (25 mm x 86 mm)
- Strike:** 1-1/8" x 2-3/4" (29 mm x 70 mm)
- Strike Gauge:** 0.171" (4.3 mm)
- Materials:** Brass
- Finishes:** US3, US4, US10, US10B, US15, US15A, US19, US26, US26D
- Fasteners:** Two (2) #10 x 1-1/2" FPHWS, two (2) #8 x 1" FPHWS, and two (2) 8-32 x 3/4" FPHMS
- Notes:**
- Adjustable spring tension with nylon roller
  - Projection of roller is easily adjusted using screws on faceplate
  - Max projection of the roller is 3/8" (9.5 mm) allowing for variance in door and frame clearance