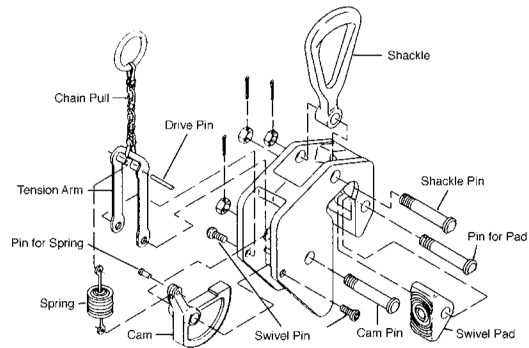




Repair Kits for Locking “E” Clamps

- Replacement Part Kits for All “E” Style Clamps
- Kits Contain All Necessary Parts for Shackle or Cam/Pad Replacement
- Shackle Kit Includes: 1 Shackle, 1 Shackle Bolt, 1 Nut, 1 Cotter Pin
- Cam/Pad Kit w/ Tension Arm Includes: 1 Cam, 1 Pad, 1 Cam Bolt, 1 Pad Bolt, 2 Nuts, 2 Rivets, 1 Drive Pin, 1 Spring, 1 Chain Pull, 1 Chain Pull Clip, 1 Tension Arm, 2 Swivel Pins, 2 Cotter Pins
- Cam/Pad Kit Includes: 1 Cam, 1 Pad, 1 Cam Bolt, 1 Pad Bolt, 2 Nuts, 1 Rivet, 2 Cotter Pins
- Note: The Cam and Pad Should Be Replaced at the Same Time



Catalog No.	UPC No. 020418	Part Name	For Use With Clamp Capacity	Grip Range	Weight Each	Shelf Pack
6507030	210440	Shackle Kit	3 TON	All Grips	3.50 lb	-
6507031	210457	Cam/Pad/Tension Arm Kit	3 TON	All Grips	5.00 lb	-
6507032	227684	Cam/Pad Kit	3 TON	All Grips	2.50 lb	1
6507050	210464	Shackle Kit	5 TON	All Grips	3.70 lb	-
6507051	210471	Cam/Pad/Tension Arm Kit	5 TON	All Grips	5.60 lb	-
6507052	227691	Cam/Pad Kit	5 TON	All Grips	4.50 lb	1
6507080	210488	Shackle Kit	8 TON	1/2 - 2 1/2 in.	8.10 lb	-
6507081	210495	Cam/Pad/Tension Arm Kit	8 TON & 12 TON	All Grips	16.50 lb	-
6507082	210426	Shackle Kit	8 TON & 12 TON	8 TON - 2 - 4 in. 12 TON - All Grips	8.10 lb	-
6507083	227677	Cam/Pad Kit	8 TON & 12 TON	All Grips	15.30 lb	1