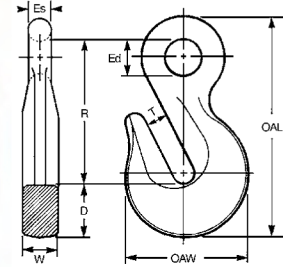




## Cam-Alloy Grab Hooks

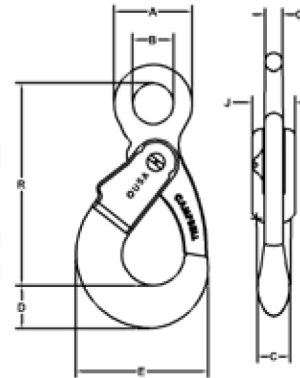
- For Use with Grade 80/100 Chain Slings
- 4 to 1 Design Factor
- Meet or Exceed All Requirements of ASME B30.9 and B30.10
- 100% Proof Tested in Accordance with ASTM A952
- Additionally Hallmarked with "USA" and Date Code
- Made in the USA
- Note: Use of Chain in a Grab Hook May Reduce the Design Factor of the Chain by up to 20%
- DO NOT EXCEED THE WORKING LOAD LIMIT



| Chain Size | Catalog No. | UPC No. 020418 | Hook No. | Grade | Working Load Limit | Weight Each | Shelf Pack | D Dim.  | Ed Dim. | Es Dim. | OAL      | OAW     | R Dim.  | T Dim.  | W Dim.  |
|------------|-------------|----------------|----------|-------|--------------------|-------------|------------|---------|---------|---------|----------|---------|---------|---------|---------|
| 9/32 in    | 5624415     | 182303         | C-72     | 100   | 4300 lb            | 0.60 lb     | 50         | 0.81 in | 0.56 in | 0.37 in | 3.69 in  | 1.87 in | 2.50 in | 0.37 in | 0.59 in |
| 3/8 in     | 5624615     | 182310         | C-73     | 100   | 8800 lb            | 0.90 lb     | 30         | 1.16 in | 0.75 in | 0.44 in | 4.00 in  | 2.56 in | 2.41 in | 0.50 in | 0.66 in |
| 1/2 in     | 5624815     | 182327         | C-75     | 100   | 15000 lb           | 2.80 lb     | 20         | 1.44 in | 1.12 in | 0.56 in | 5.40 in  | 3.50 in | 3.40 in | 0.66 in | 0.88 in |
| 5/8 in     | 5625015     | 182334         | C-76     | 100   | 22600 lb           | 3.70 lb     | -          | 1.75 in | 1.22 in | 0.69 in | 6.66 in  | 4.25 in | 4.22 in | 0.78 in | 1.12 in |
| 3/4 in     | 5625215     | 182341         | C-77     | 100   | 35300 lb           | 7.50 lb     | -          | 2.12 in | 1.44 in | 1.00 in | 8.28 in  | 5.18 in | 5.15 in | 0.94 in | 1.38 in |
| 7/8 in     | 5625415     | 152979         | C-78     | 100   | 42700 lb           | 11.20 lb    | -          | 2.44 in | 1.75 in | 1.00 in | 10.44 in | 5.68 in | 7.00 in | 1.06 in | 1.62 in |
| 1 in       | 5621615     | 078651         | C-79     | 80    | 47700 lb           | 18.50 lb    | -          | 3.00 in | 1.87 in | 1.12 in | 12.14 in | 6.75 in | 7.98 in | 1.19 in | 1.81 in |

## Self-locking Eye Hooks

- Meet or Exceed All Requirements of ASME B30.9 and B30.10
- Fatigue and 100% Proof Tested in Accordance with ASTM A952
- Additionally Hallmarked with "USA" and Date Code
- Meets the Intent of OSHA Regulation 1926.550(g)(4)(iv)(b)
- Latch Closes Automatically Under Load
- Eye Style is Designed to Accommodate Heavy Duty Wire Rope Thimbles
- Stamped with Recommended Wire Rope Size
- Working Load Limit Rating of 5 to 1 to Meet Design Requirements of Wire Rope Slings
- Made in the USA
- DO NOT EXCEED THE WORKING LOAD LIMIT



| Chain Size | Catalog No. | UPC No. 020418 | Working Load Limit 4 to 1 | For Wire Rope Size | Working Load Limit 5 to 1 | Weight Each | Shelf Pack |
|------------|-------------|----------------|---------------------------|--------------------|---------------------------|-------------|------------|
| 9/32 in    | 5648495     | 193262         | 4300 lb                   | 7/16 in            | 3800 lb                   | 2.25 lb     | -          |
| 3/8 in     | 5648695     | 193279         | 8800 lb                   | 1/2 in             | 7000 lb                   | 4.00 lb     | -          |
| 1/2 in     | 5648895     | 193286         | 15000 lb                  | 5/8 in             | 12000 lb                  | 8.65 lb     | 1          |
| 5/8 in     | 5649095     | 193293         | 22600 lb                  | 7/8 in             | 18000 lb                  | 13.80 lb    | 1          |

| Chain Size | Catalog No. | A Dim.   | B Dim.   | C Dim.   | D Dim.   | E Dim.   | F Dim.   | G Dim.   | H Dim.   | J Dim.  | R Dim.   |
|------------|-------------|----------|----------|----------|----------|----------|----------|----------|----------|---------|----------|
| 9/32 in    | 5648495     | 1.875 in | 1.00 in  | 0.938 in | 1.02 in  | 3.594 in | 1.625 in | 0.438 in | 0.875 in | 1.25 in | 5.468 in |
| 3/8 in     | 5648695     | 2.375 in | 1.375 in | 1.125 in | 1.250 in | 4.312 in | 1.875 in | 0.578 in | 1.063 in | 1.50 in | 6.50 in  |
| 1/2 in     | 5648895     | 3.188 in | 1.688 in | 1.312 in | 1.796 in | 5.404 in | 2.250 in | 0.688 in | 1.281 in | 1.75 in | 8.75 in  |
| 5/8 in     | 5649095     | 3.50 in  | 2.00 in  | 1.50 in  | 2.169 in | 6.50 in  | 2.375 in | 0.75 in  | 1.50 in  | 2.00 in | 10.00 in |

