

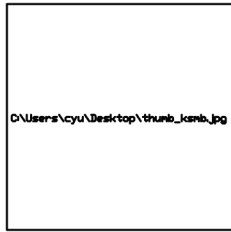


VALVE BOXES

Model KSMB

(Surface Mounted)

DATE



KARP ASSOCIATES, INC.
 260 Spagnoli Road Melville, NY 11747
 (631) 768-8300 - Phone
 (631) 768-8350 - Fax

PROJECT DATA

| |
|---|
| Project Name: |
| Architect: |
| Contractor: |
| Agent/Customer Name: |
| Tagging Instructions: |
| Special Instructions: |
| To be purchased from Industrial Hardware & Specialties, Inc. |
| www.industrialhardware.com T:973-684-4010 Fax:973-684-3095 |



PROJECT SCHEDULE

| Qty. | H | W | D | No. of Latches | Finish | Remarks |
|------|---|---|---|----------------|--------|---------|
| | | | | | | |
| | | | | | | |
| | | | | | | |
| | | | | | | |
| | | | | | | |
| | | | | | | |
| | | | | | | |
| | | | | | | |

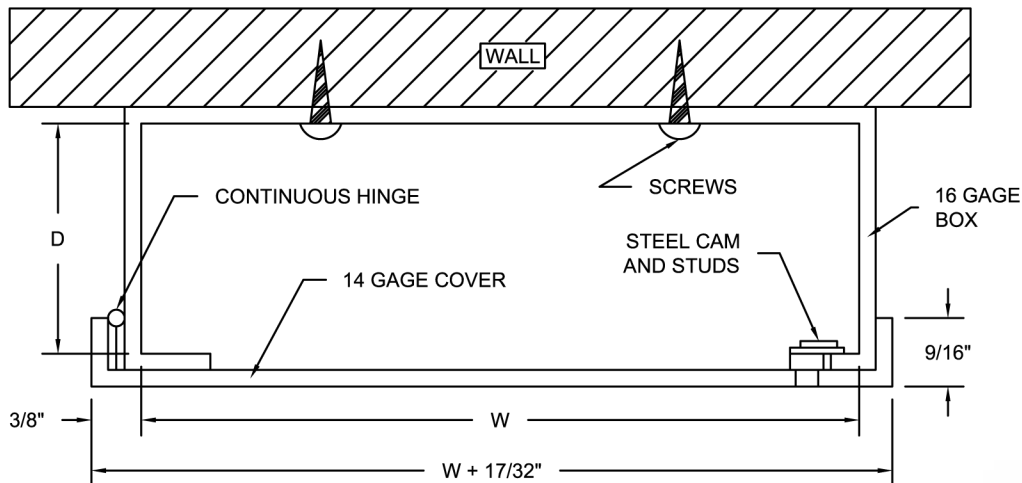
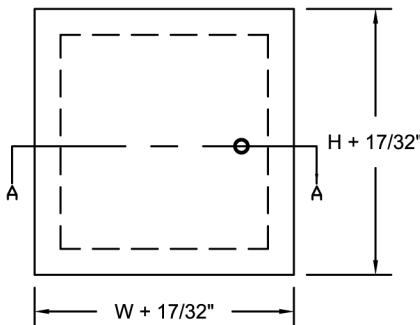
SPECIFICATIONS

GENERAL SCOPE:

Access doors shall be Karp Type KSMB as manufactured by Karp Associates, Inc., Melville, N.Y.
 Sizes shall be as indicated on the drawings.

CONSTRUCTION:

- Box shall be 16 gage steel and door shall be 14 gage steel.
- Hinge shall be exposed, continuous piano hinge.
- Locks shall be flush and screwdriver operated with cam and studs, or shall be key operated cylinder lock with automatic dust shutter.
- Holes 1/4" diameter shall be provided for anchoring to wall.
- Finish shall be prime coat of rust inhibitive electrostatic powder, baked white enamel.



SECTION A-A



Made with Union Labor